

*Thank you for your purchase!*



## Sit to Stand Table

### ASSEMBLY INSTRUCTIONS

#### **Before You Begin:**

Please identify all component parts and hardware pieces required before you begin. Carefully remove all of the components from the packaging and set aside for assembly. Assemble on a soft surface to prevent scratching during assembly.

#### **Caution:**

Tighten all components securely before use. Failure to do so may result in personal injury. DO NOT use any sharp objects to open plastic wrapped components as damage to product or competitor may result.

#### **Warning:**

CHOKING HAZARD - Small Parts. Adult Assembly Required.

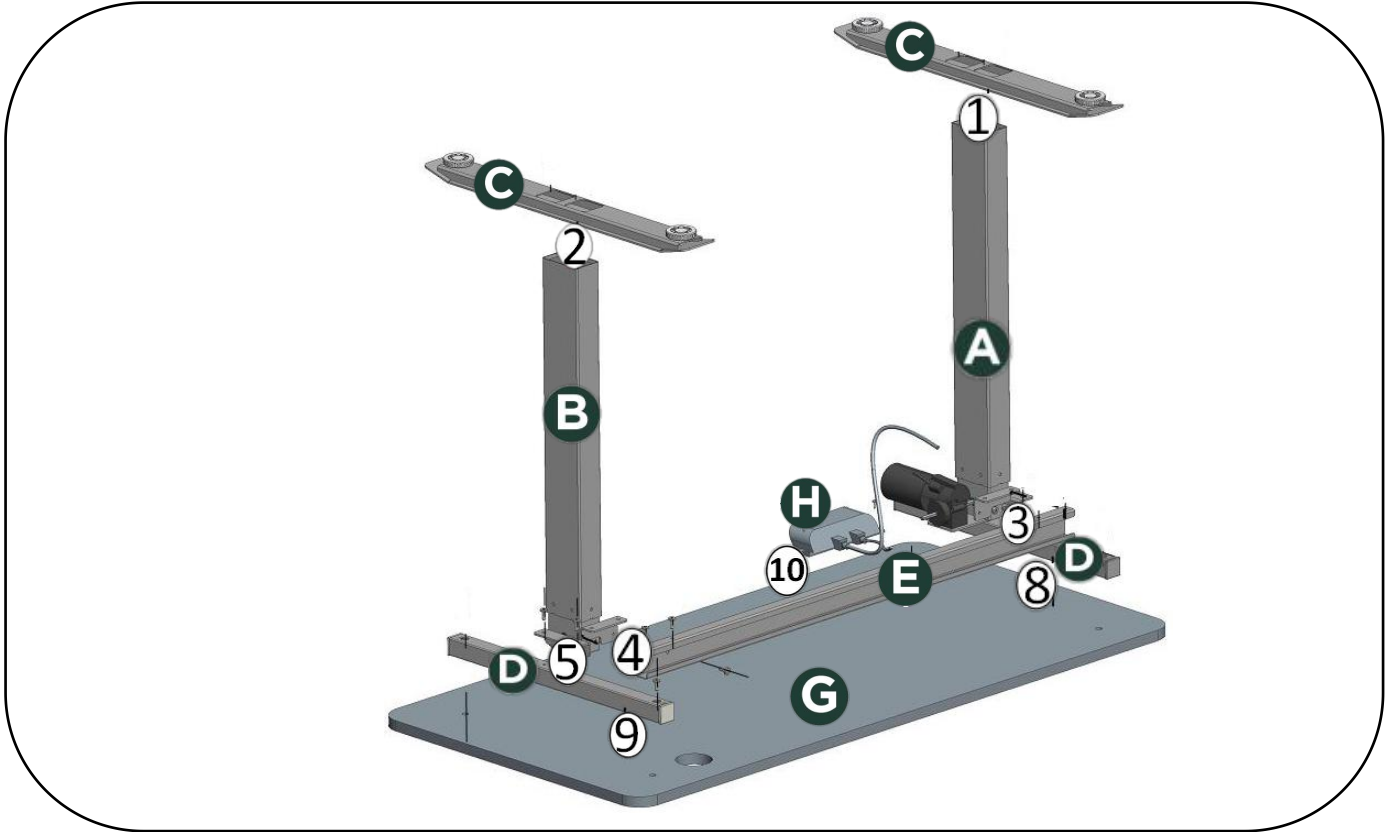
Injury may result from tipping furniture. You must install the Tipping Restraint Hardware with the unit to prevent the unit from tipping and causing any accidental injury, instability, death or damage. The tipping restraint is intended only as a safety measure, it is not a substitute for proper adult supervision.

This tipping restraint is not an earthquake restraint. If you wish to add the extra security of earthquake restraints, they must be purchased and installed separately.

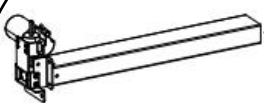














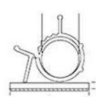
Serious or fatal crushing injuries can occur from furniture tipping over. To prevent furniture from tipping over it must be permanently fixed to the wall. Fixing devices for the wall are not included since different wall materials require different types of fixing devices. Use fixing devices suitable for the walls in your home.

Failure to detach this restraint before moving furniture may result in injury or damage.

**DO NOT ALLOW CHILDREN TO CLIMB ON FURNITURE**

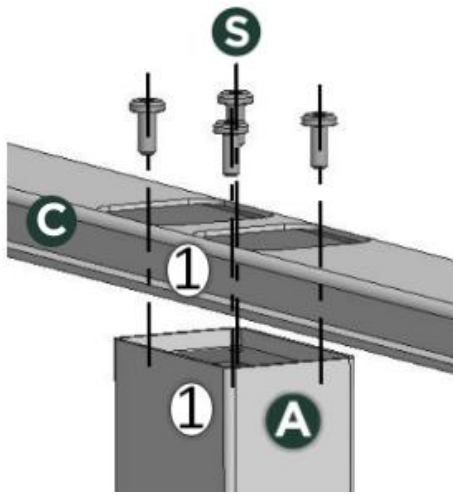


**Components** 

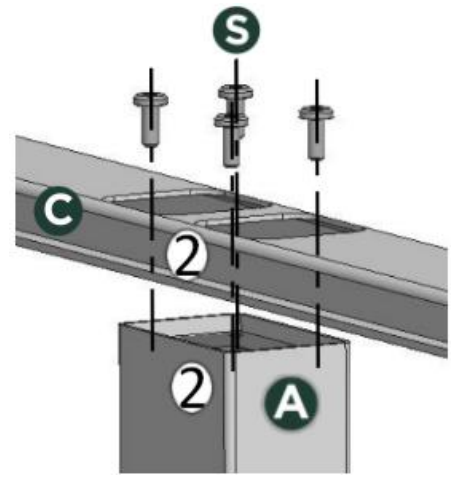
	..... <b>A</b> x 1 pcs		..... <b>B</b> x 1 pcs
	..... <b>C</b> x 2 pcs		..... <b>D</b> x 2 pcs
	..... <b>E</b> x 1 pcs		..... <b>F</b> x 1 pcs
	..... <b>G</b> x 1 pcs		..... <b>H</b> x 1 pcs
	..... <b>I</b> x 1 pcs		..... <b>J</b> x 1 pcs
	..... <b>K</b> x 1 pcs		..... <b>L</b> x 1 pcs
	..... <b>M</b> x 1 pcs		..... <b>N</b> x 22 pcs
	..... <b>O</b> x 2 pcs		..... <b>P</b> x 1 pcs

.....  
*Thank you for your purchase!*

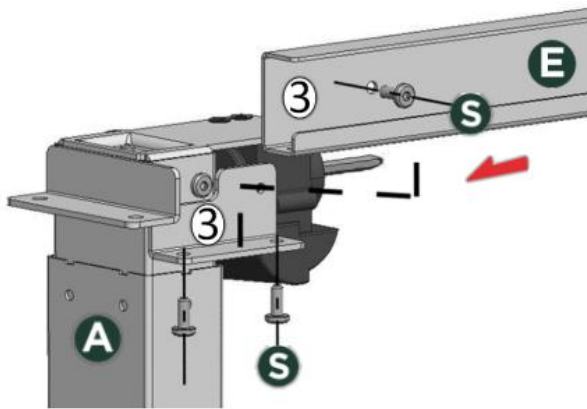
1



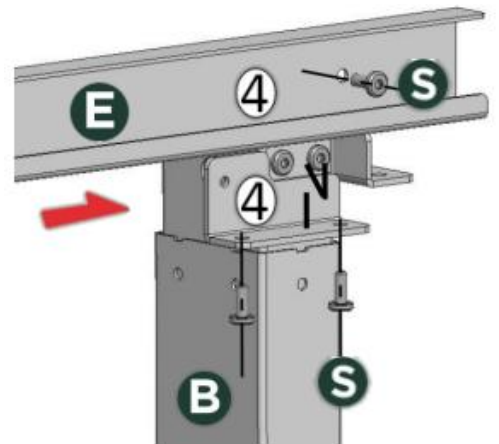
2



3

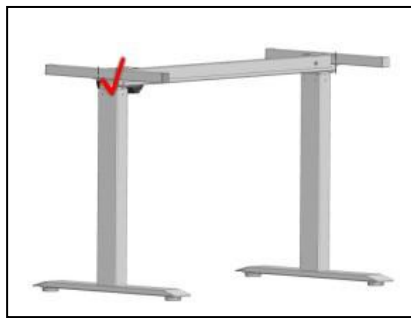
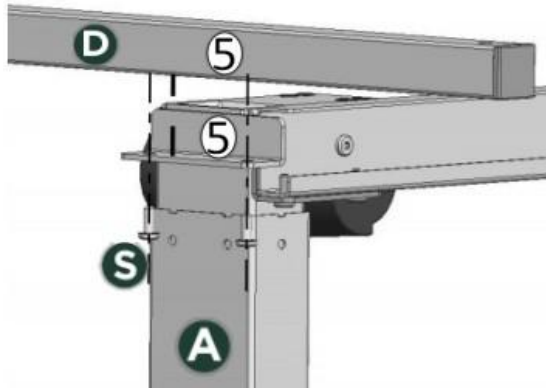


4

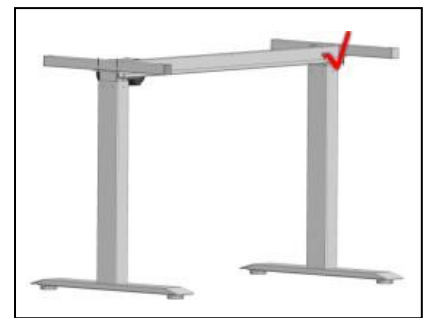
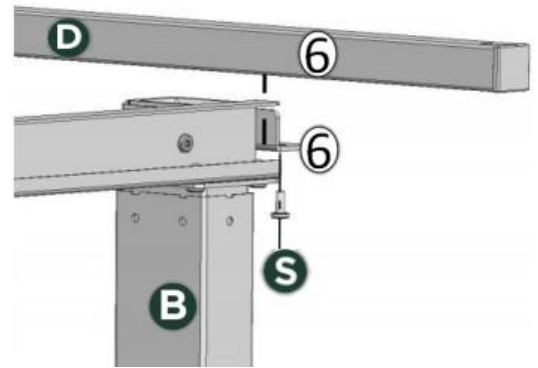


.....  
 Thank you for your purchase!

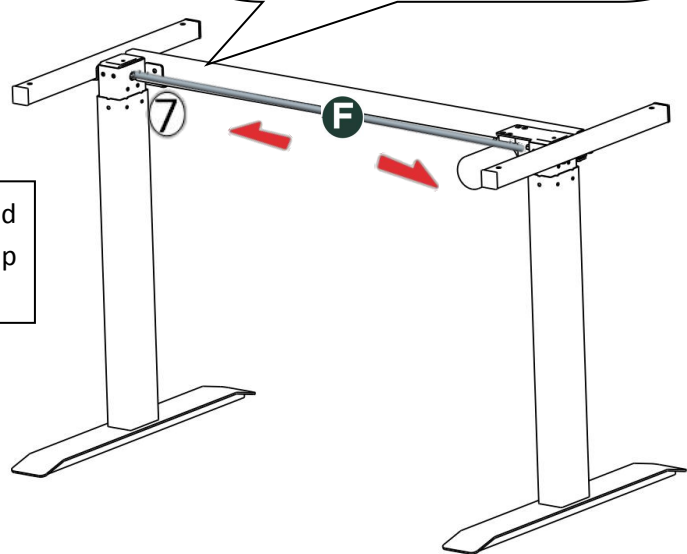
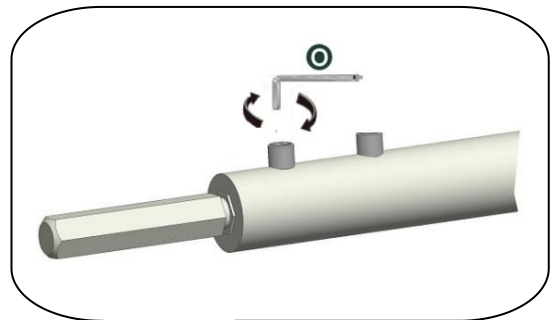
5



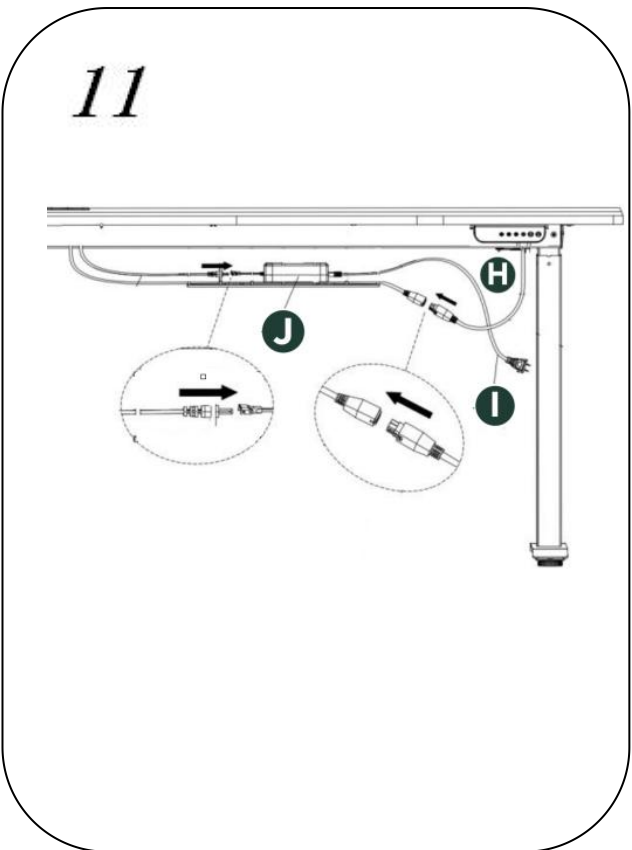
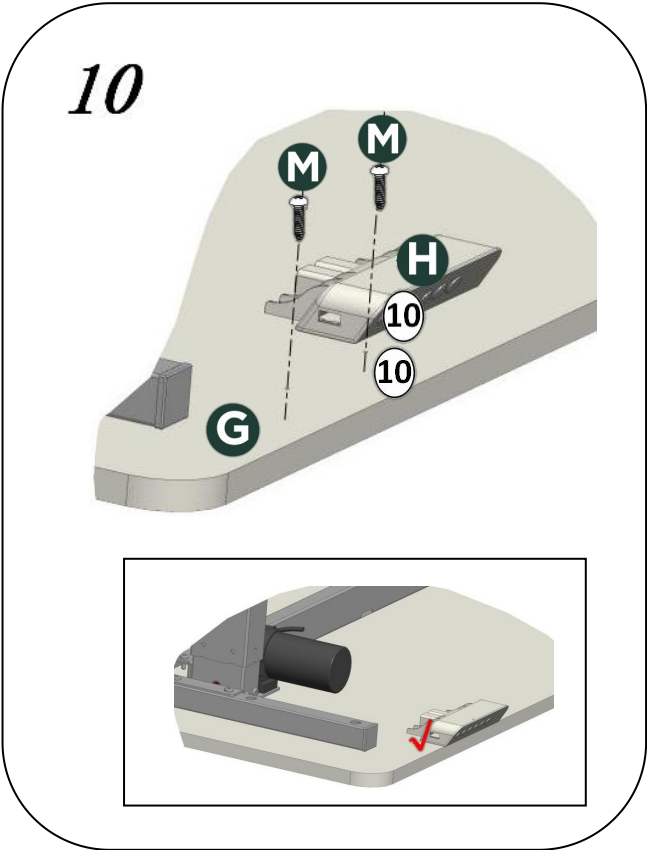
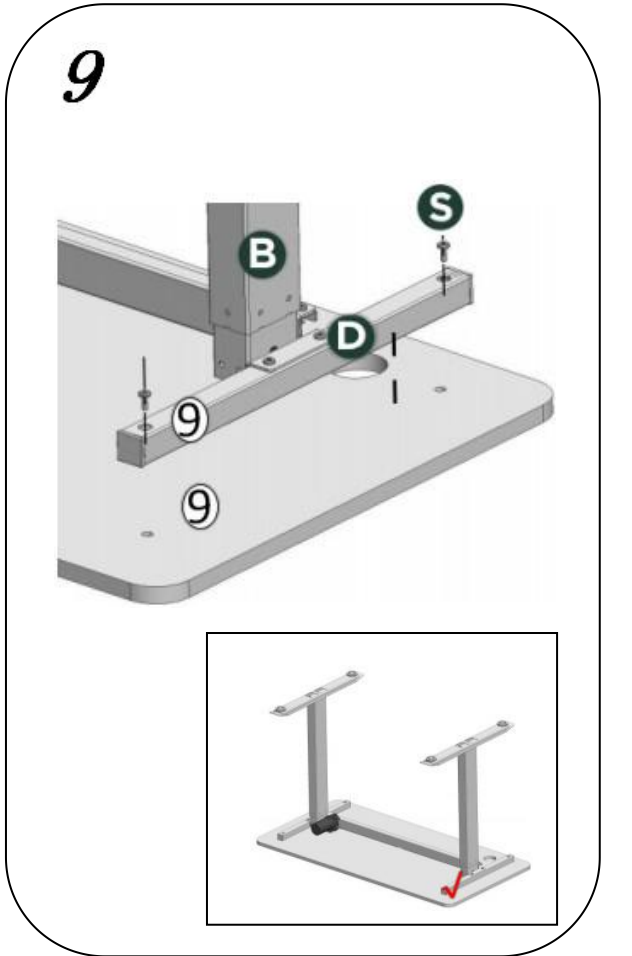
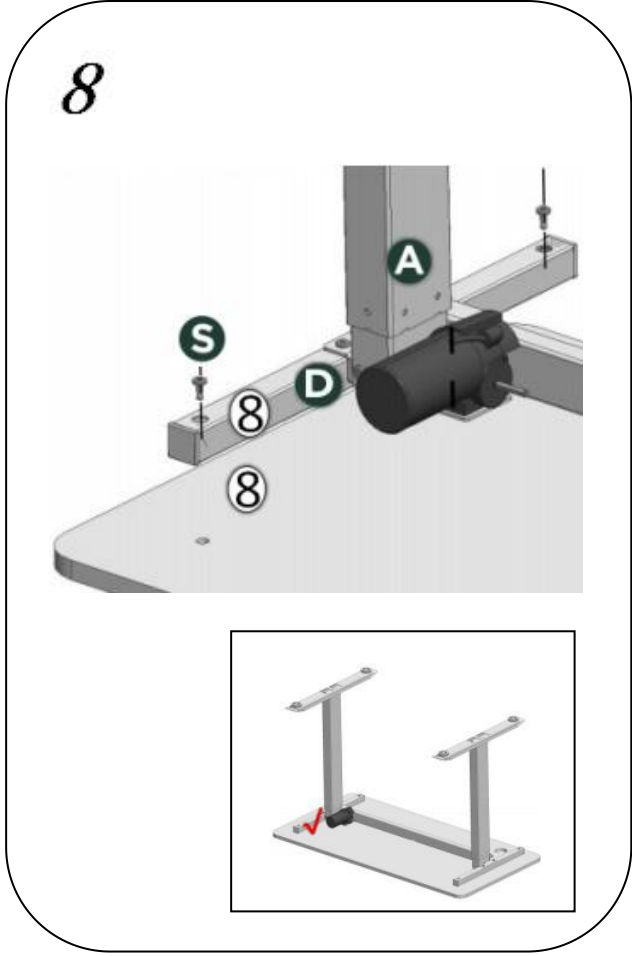
6



7

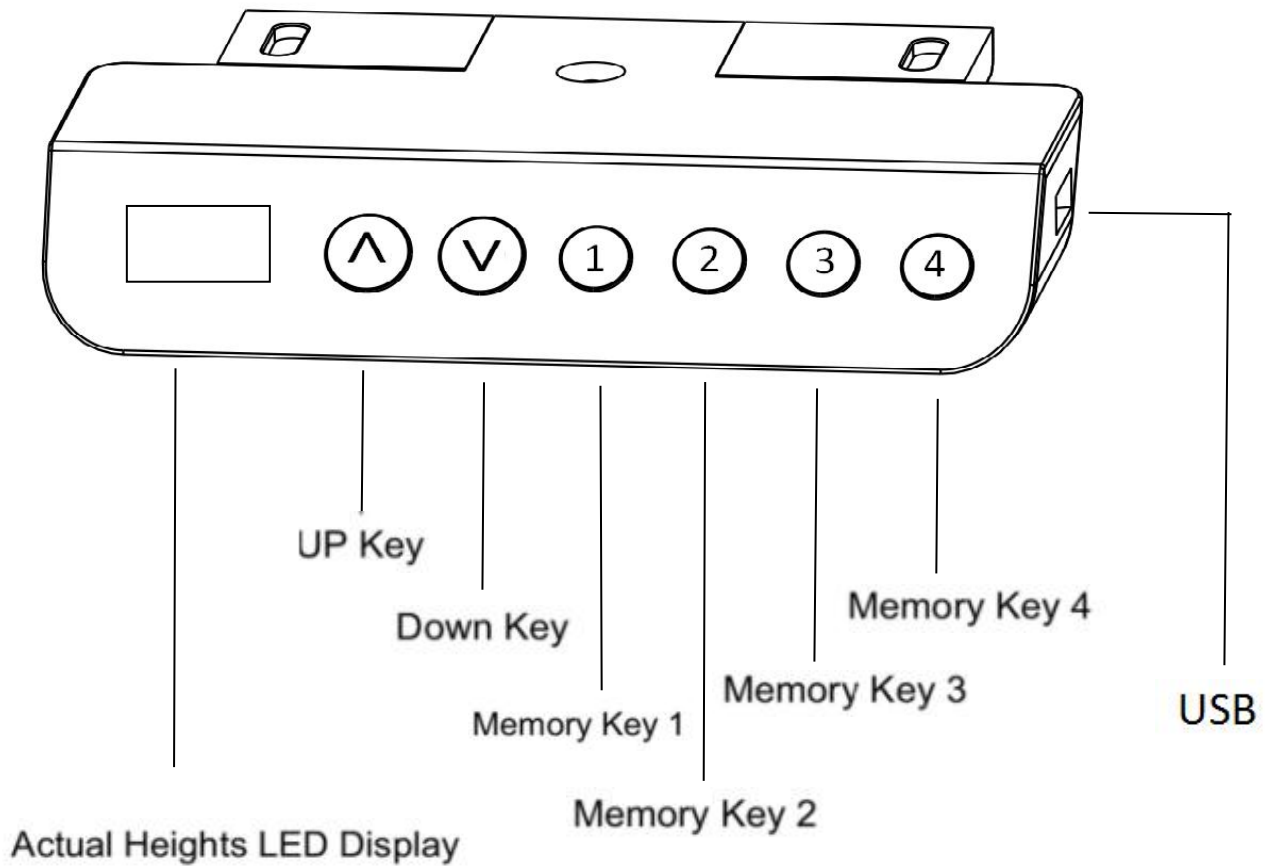








After inserting the hexagonal rod into the hole, tighten the top wire



.....  
*Thank you for your purchase!*

## Height Adjustment Controller Operation



- LED Display: Press any key once to wake up the LED display.
- Up Key : Press and hold the UP key to raise the desk .
- Down Key :  Press and hold the DOWN key to lower the desk.
- Memory Key :    
  - Saving a height setting: Press and hold any numbered key until you hear a beep.
  - Applying a height setting: Press any numbered key and the desk will adjust automatically.

### Notes:

- Stop the desk's movements at any time by pressing any key.
- Height settings will remain when unplugged.

---

*Thank you for your purchase!*



## Initialization Process / Resetting Your Desk

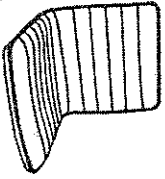

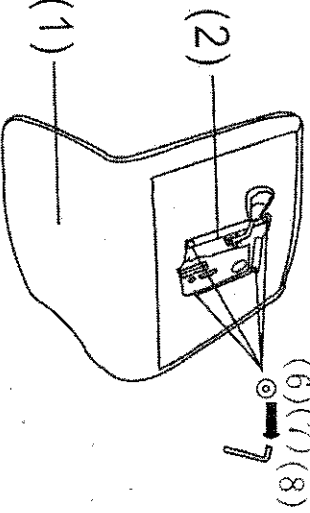
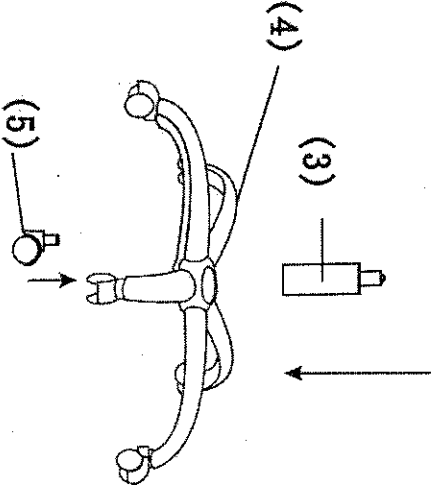
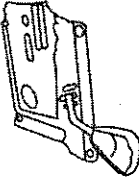
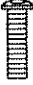



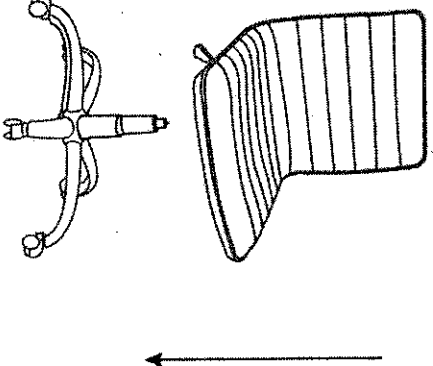
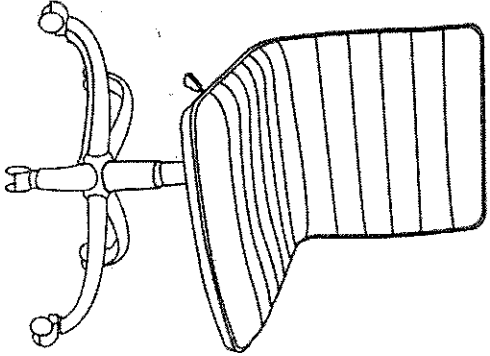
The "Initialization Process" must be done before using the desk for the first time and also for resetting your desk. To reset the desk, press and hold the DOWN key for 10 seconds until the LED display shows "Rst" and the desk will start to slowly lower. Keep holding the DOWN key while the desk is moving and the LED is still showing "Rst". The desk will reach its lowest setting and then move up slightly until the LED shows "70.5". Once the LED displays "70.5", you may release the DOWN key. The "Initialization Process" is now complete.

## Error Code Instructions

Error Code	Reason	Solution
Er1	Motor Line Open Circuit	<ol style="list-style-type: none"><li>1. Disconnect and reconnect all the cable lines from "Part K" and "Part M". The LED will display "Rst".</li><li>2. Press and hold the DOWN key until the desk stops moving and the LED displays "70.5".</li><li>3. If the above step fails, please contact Customer Service.</li></ol>
OL	Low Main Voltage	<ol style="list-style-type: none"><li>1. Weight limit over 110 lbs, please remove some items off the table and try again.</li><li>2. If the above step fails, please contact Customer Service.</li></ol>
OH	Motor Overheat	<ol style="list-style-type: none"><li>1. Press any key to restart the function.</li><li>2. If the above step fails, please contact Customer Service.</li></ol>
Rst	Initialization Process	Desk in the process of resetting. Press and hold the DOWN key for the desk to slowly lower until it reaches its lowest setting. Keep holding the DOWN key until it stops moving and the LED displays "70.5" (70.5 cm). The desk may now be operated as normal.

---

*Thank you for your purchase!*

<p>(1) × 1</p> 	<p>(6) × 4</p> 	<p><b>1</b></p> 	<p><b>2</b></p> 
<p>(2) × 1</p> 	<p>(7) × 4</p> 		
<p>(3) × 1</p> 	<p>(8) × 1</p> 		
<p>(4) × 1</p> 		<p><b>3</b></p> 	<p><b>4</b></p> 
<p>(5) × 5</p> 