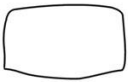





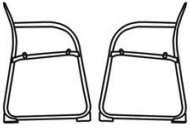
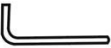


PARTS

<p>(1)X1</p> 	<p>(5)X4</p> 
<p>(2)X1</p> 	<p>(6)X4</p> 
<p>(3)X2</p> 	<p>(7)X8</p> 
<p>(4)X2</p> 	<p>(8)X1</p> 

ASSEMBLY INSTRUCTION

