

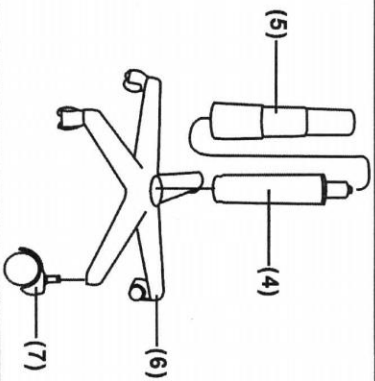
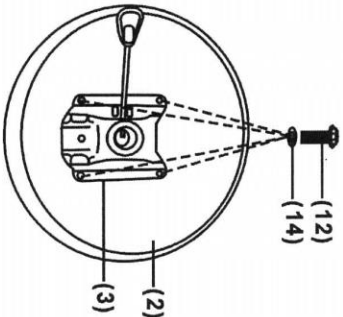


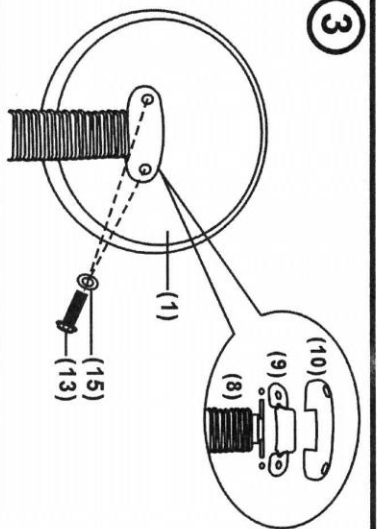
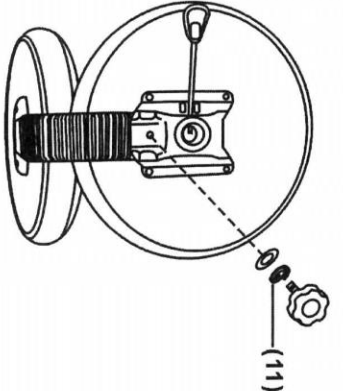


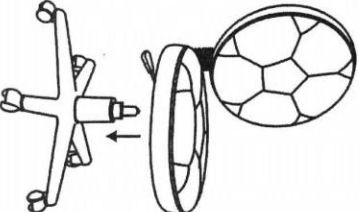
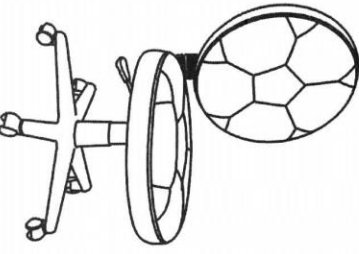











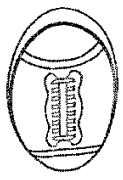

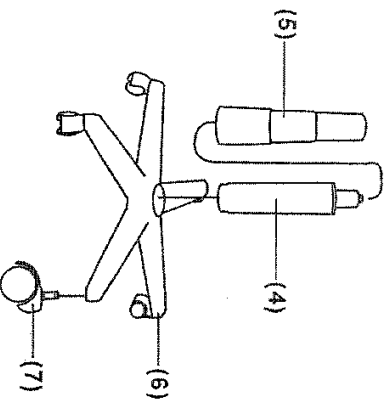
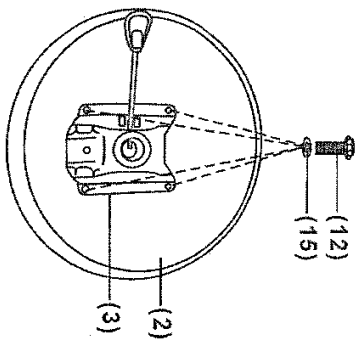


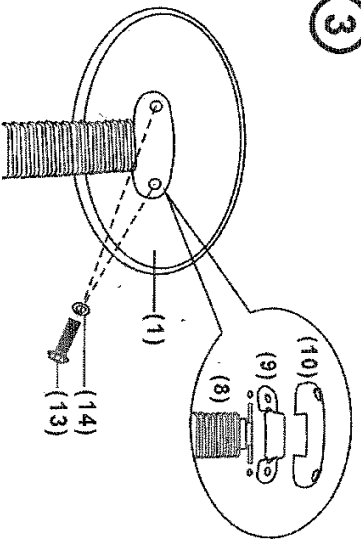
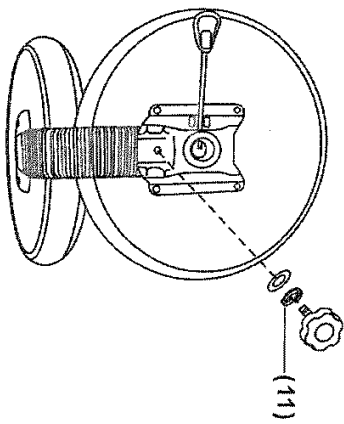
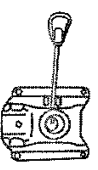

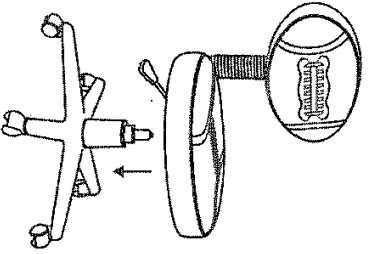
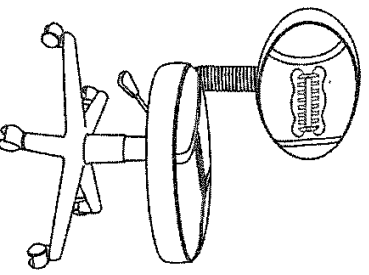








BT-6177 - Soc - Gg
PARTS

ASSEMBLY INSTRUCTION

<p>(1)X1</p> 	<p>(8)X1</p> 	<p>1</p> 	<p>2</p> 
<p>(2)X1</p> 	<p>(9)X1</p> 	<p>3</p> 	<p>4</p> 
<p>(3)X1</p> 	<p>(11)X1</p> 	<p>5</p> 	<p>6</p> 
<p>(4)X1</p> 	<p>(12)X4</p> 		
<p>(5)X1</p> 	<p>(13)X2</p> 		
<p>(6)X1</p> 	<p>(14)X4</p> 		
<p>(7)X5</p> 	<p>(15)X2</p> 		
	<p>(16)X1</p> 		

BT-6181-FOOT PARTS

ASSEMBLY INSTRUCTION

<p>(1)X1</p> 	<p>(8)X1</p> 	<p>1</p> 	<p>2</p> 
<p>(2)X1</p> 	<p>(9)X1</p> 	<p>3</p> 	<p>4</p> 
<p>(3)X1</p> 	<p>(11)X1</p> 	<p>5</p> 	<p>6</p> 
<p>(4)X1</p> 	<p>(12)X4</p> 		
<p>(5)X1</p> 	<p>(13)X2</p> 		
<p>(6)X1</p> 	<p>(14)X2</p> 		
<p>(7)X5</p> 	<p>(15)X4</p> 		
	<p>(16)X1</p> 