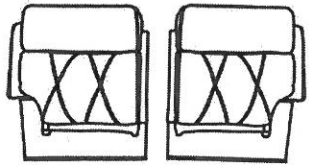


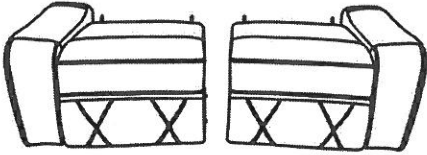
BT-70530-2-5 PARTS

ASSEMBLY INSTRUCTION

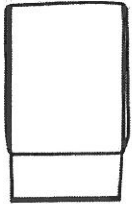
(1)X1(R)X1(L)



(2)X1(R)X1(L)



(3)X1



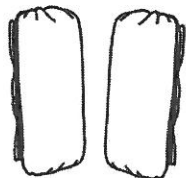
(4)X1



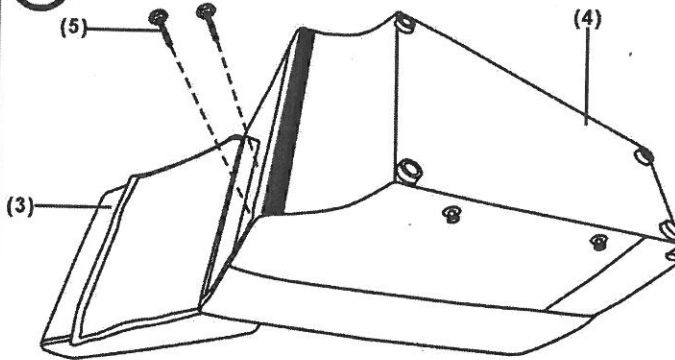
(5)X2



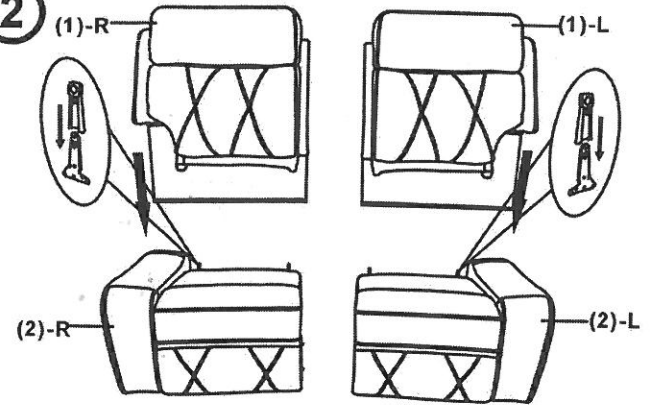
(6)X1(R)X1(L)



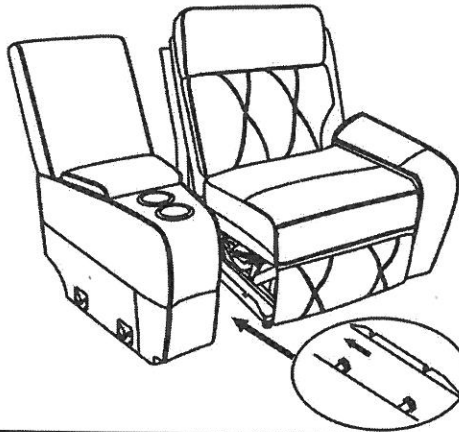
1



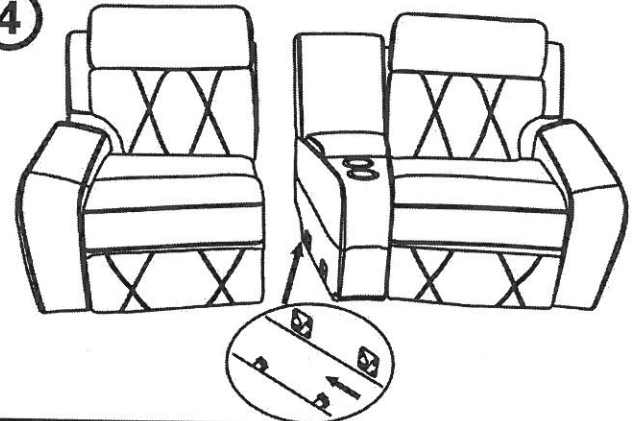
2



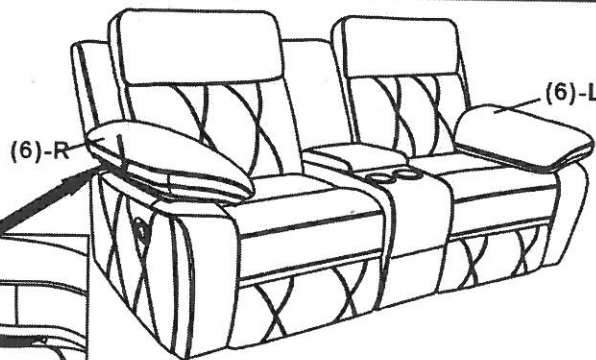
3



4



5



6

