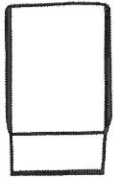


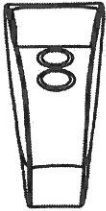
# BT-70530-3-5 PARTS

## ASSEMBLY INSTRUCTION

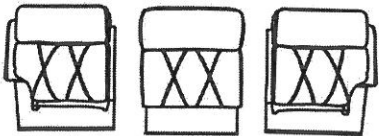
(1)X2



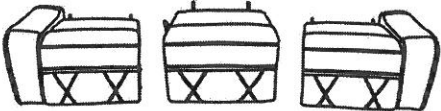
(2)X2



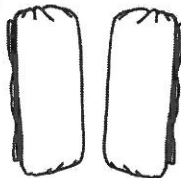
(3)X1(R)X1(M)X1(L)



(4)X1(R)X1(M)X1(L)



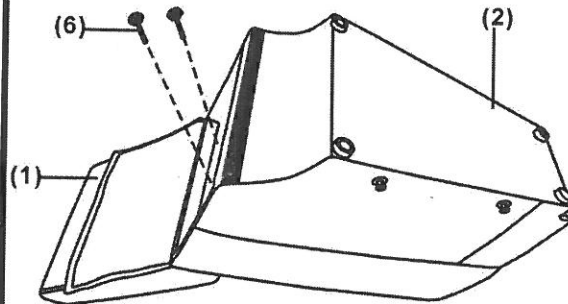
(5)X1(R)X1(L)



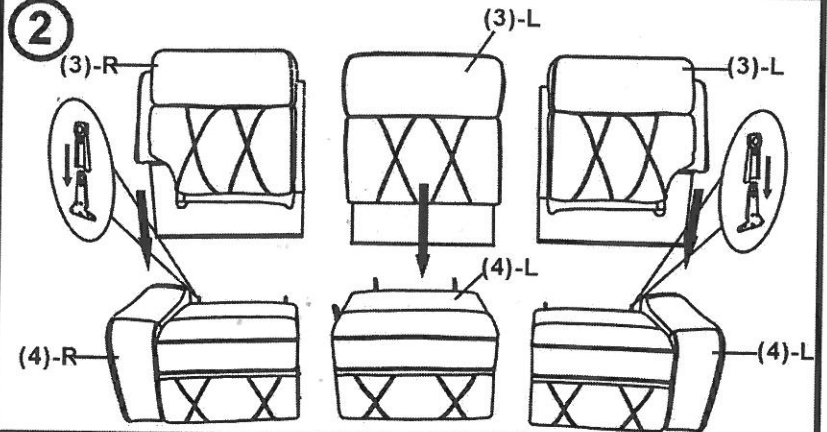
(6)X4



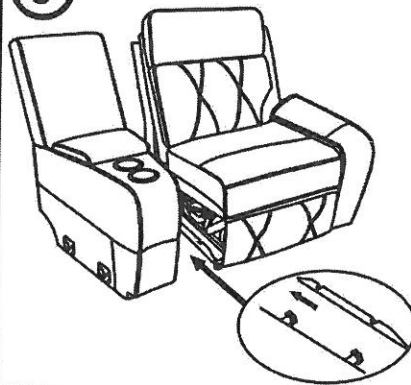
①



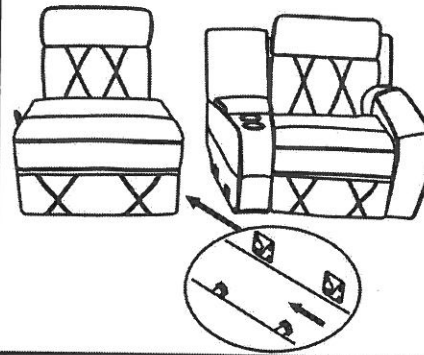
②



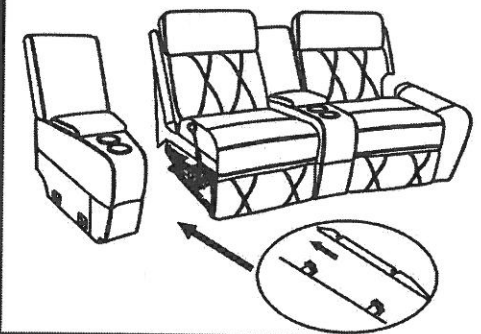
③



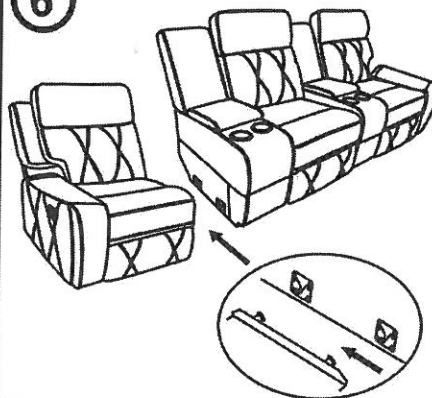
④



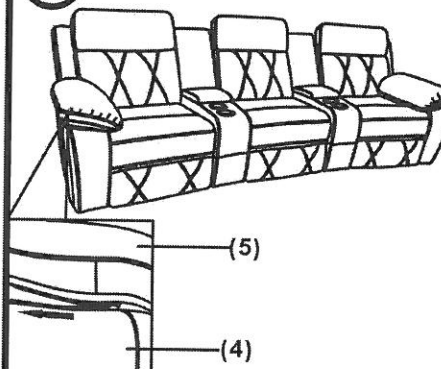
⑤



⑥



⑦



⑧

