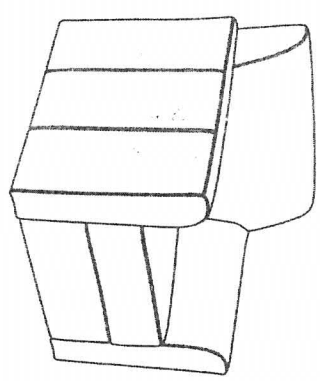


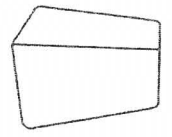
BT-827-1
PARTS

ASSEMBLY INSTRUCTION

(1)X1



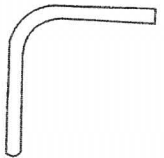
(2)X4



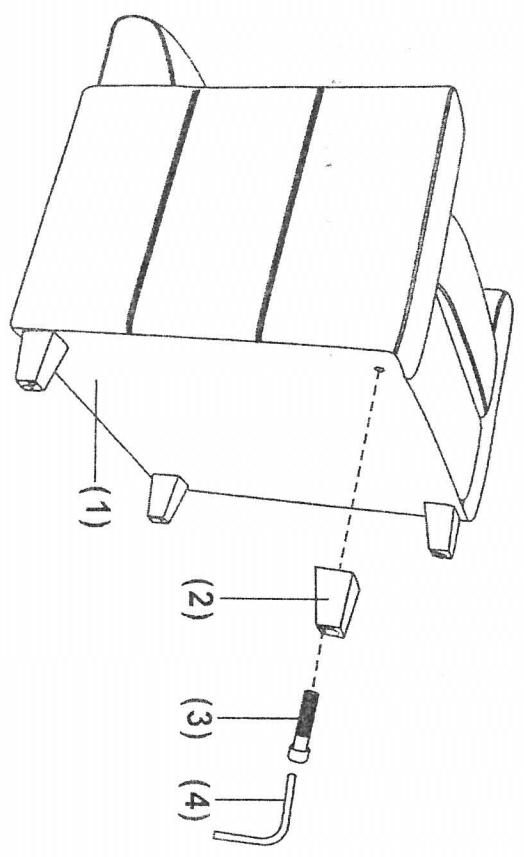
(3)X4



(4)X1



1



2

