

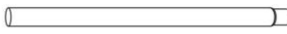






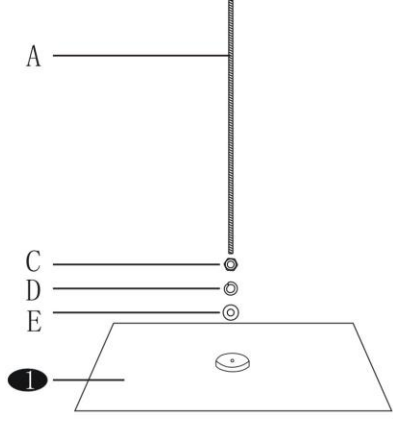
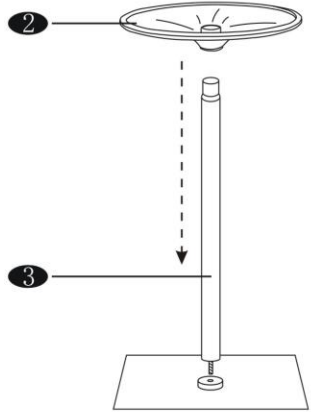
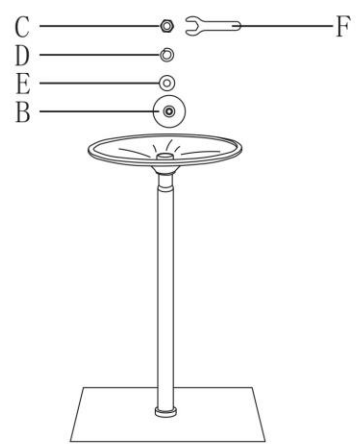


CH-4-GG

PART IDENTIFICATION	QUANTITY PER SET
1 	1
2 	1
3 	1
A: 	1
B: 	1
C: 	2
D: 	2
E: 	2
F: 	1
1 	2 
3 	4 