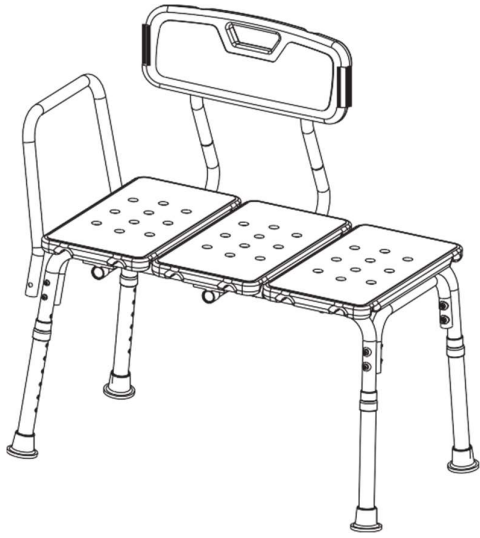


Thank you for your purchase!



Adjustable Bath & Shower Transfer Bench with Back and Side Arm

ASSEMBLY INSTRUCTIONS

Before You Begin:

Please identify all component parts and hardware pieces required before you begin.

Carefully remove all the components from the packaging and set aside for assembly.

Assemble on a soft surface to prevent scratching during assembly.

Caution:

Tighten all components securely before use. Failure to do so may result in personal injury.

DO NOT use any sharp objects to open plastic wrapped components as damage to product or components may result.

Warning:

CHOKING HAZARD - Small Parts. Adult Assembly Required.

DO NOT ALLOW CHILDREN TO CLIMB ON THE CHAIR

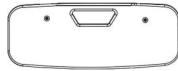
Customer Service email: CustomerExperience@belnickinc.com | phone: 866-552-2810

DC-HY3510L-WH-GG/DC-HY3510L-GRY-GG

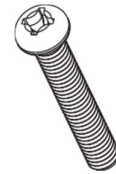
PARTS:



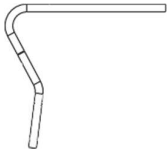
x1 armrest tube



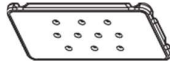
x1 plastic backrest



x14 screws B
-60mm



x2 backrest tubes



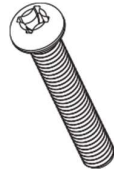
x3 plastic seats



x20 arc gaskets



x2 side frame tubes



x2 screws A
-35mm



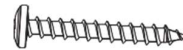
x2 seat frame tubes



x10 nuts

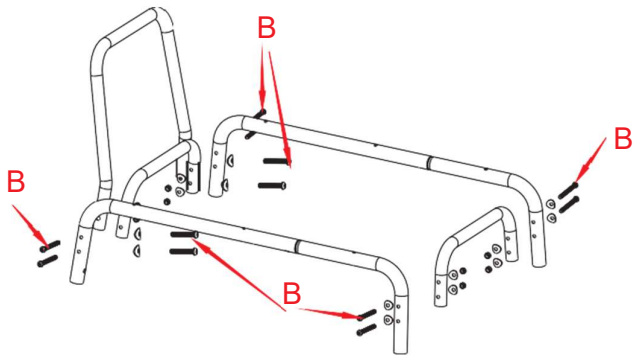


x4 foot tubes

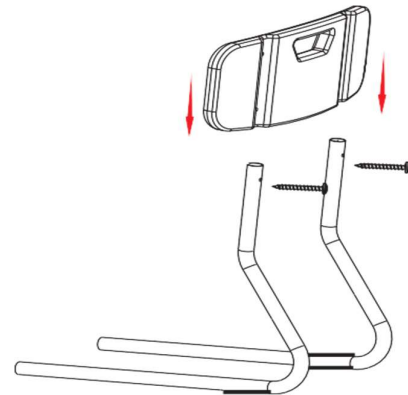


x2 rivets

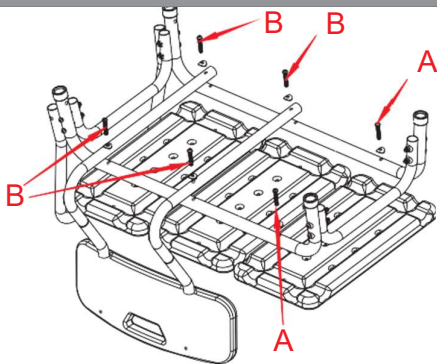
STEP1



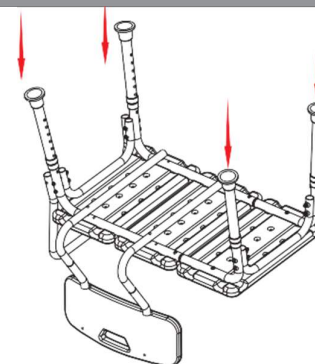
STEP2



STEP3



STEP4



Thank you for purchase!