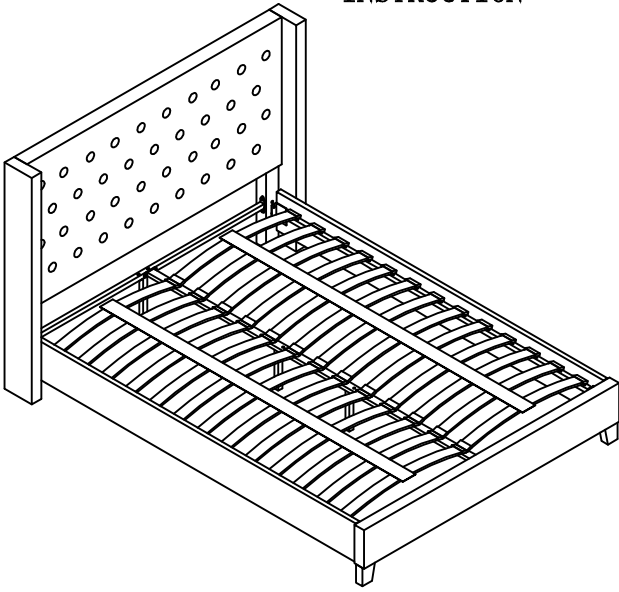
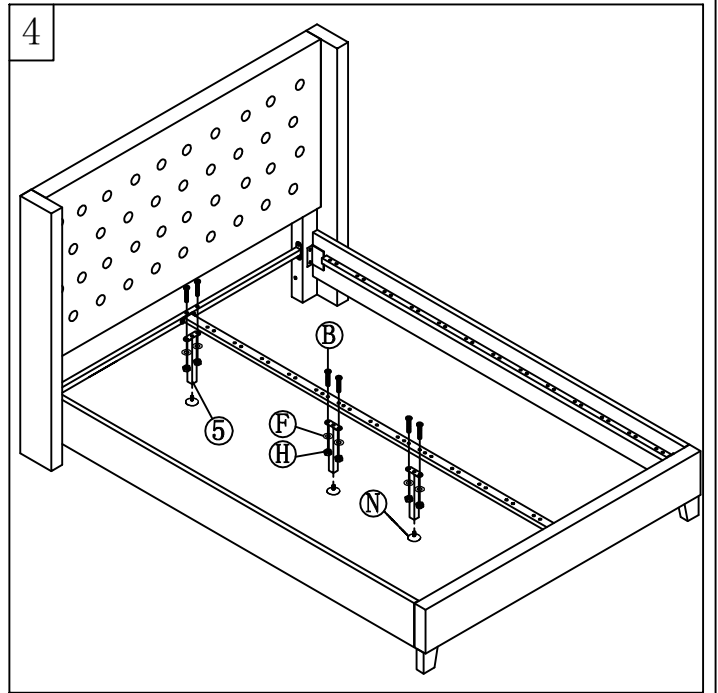
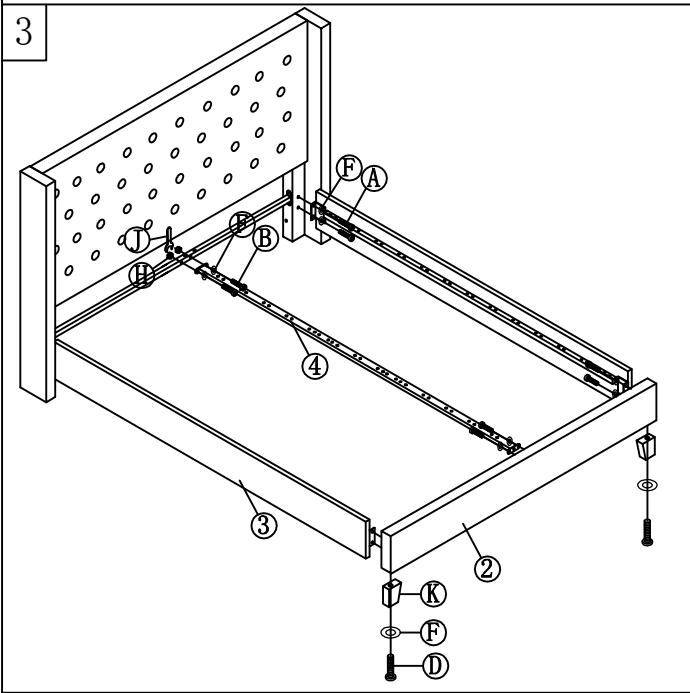
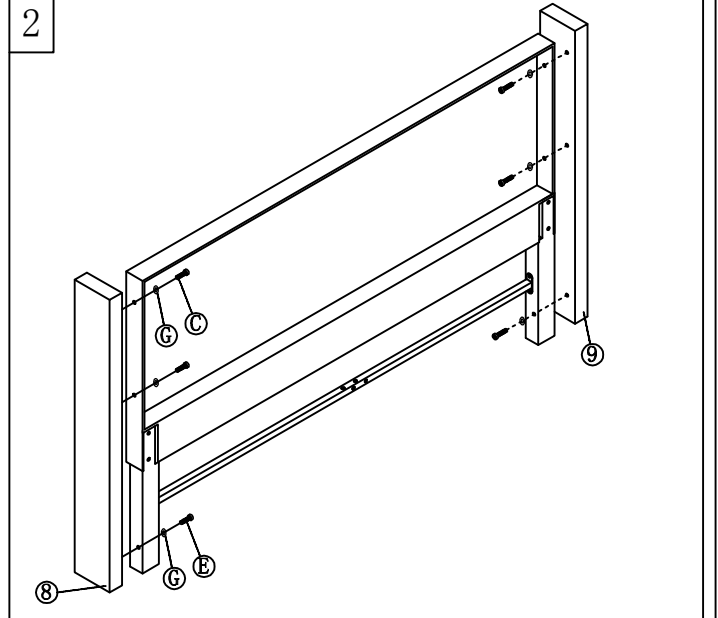
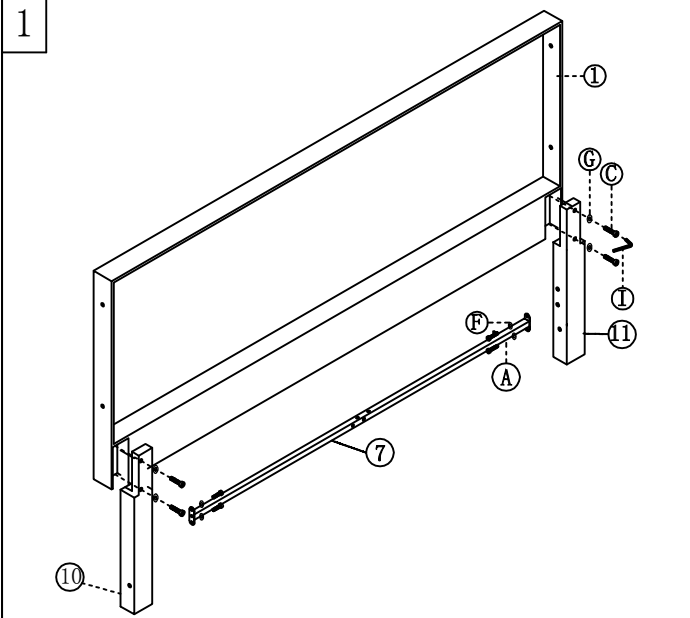


PLATFORM BED FRAME INSTRUCTION

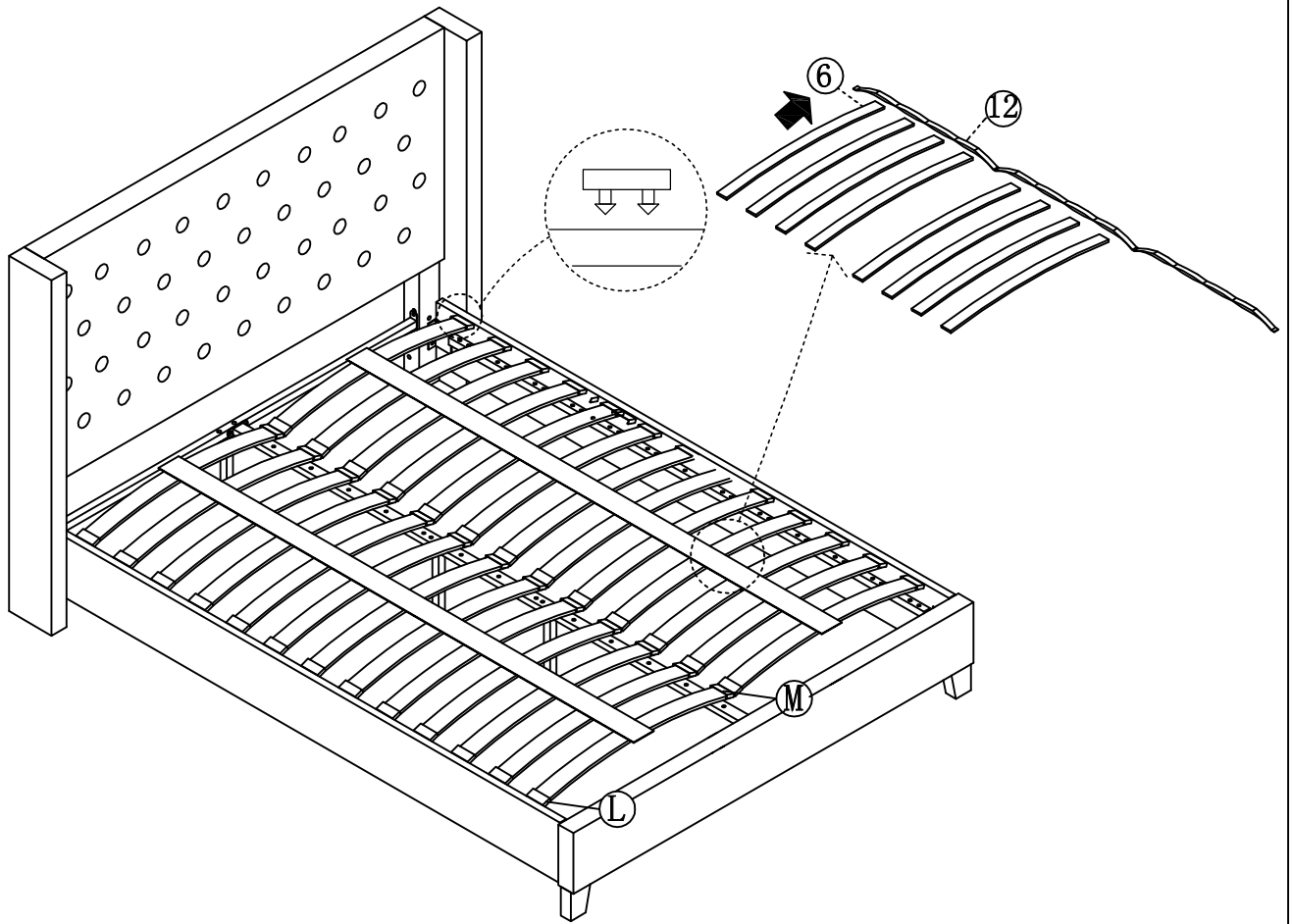


Components

① 1PC	② 1PC	③ 2PCS		
④ 1PC	⑤ 3PCS	⑥ 30PCS		
⑦ 1PC	⑧ 1PC	⑨ 1PC		
⑩ 1PC	⑪ 1PC	⑫ 2PCS		
A $\varnothing 8 \times 25$ 14PCS	B $\varnothing 8 \times 40$ 8PCS	C $\varnothing 8 \times 50$ 8PCS	D $\varnothing 6 \times 60$ 2PCS	E $\varnothing 6 \times 110$ 2PCS
F $\varnothing 19$ 24PCS	G $\varnothing 22$ 10PCS	H 8PCS	L 1PC	J 1PC
K 2PCS	L 30PCS	M 15PCS	N 3PCS	



5



6

