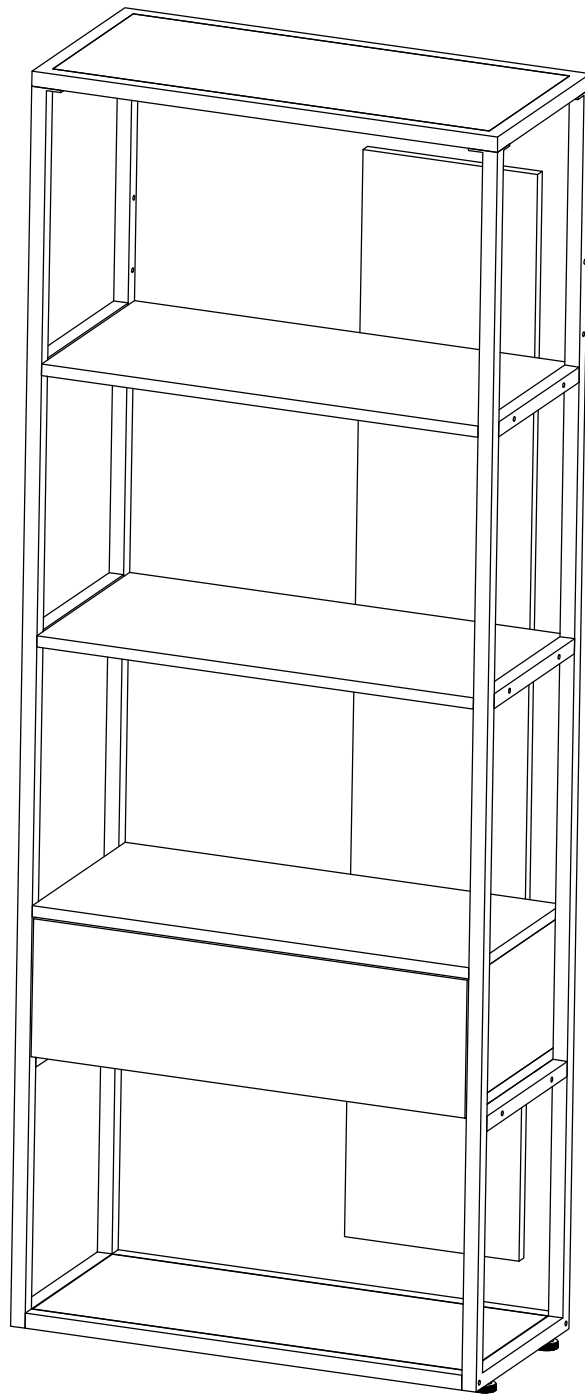
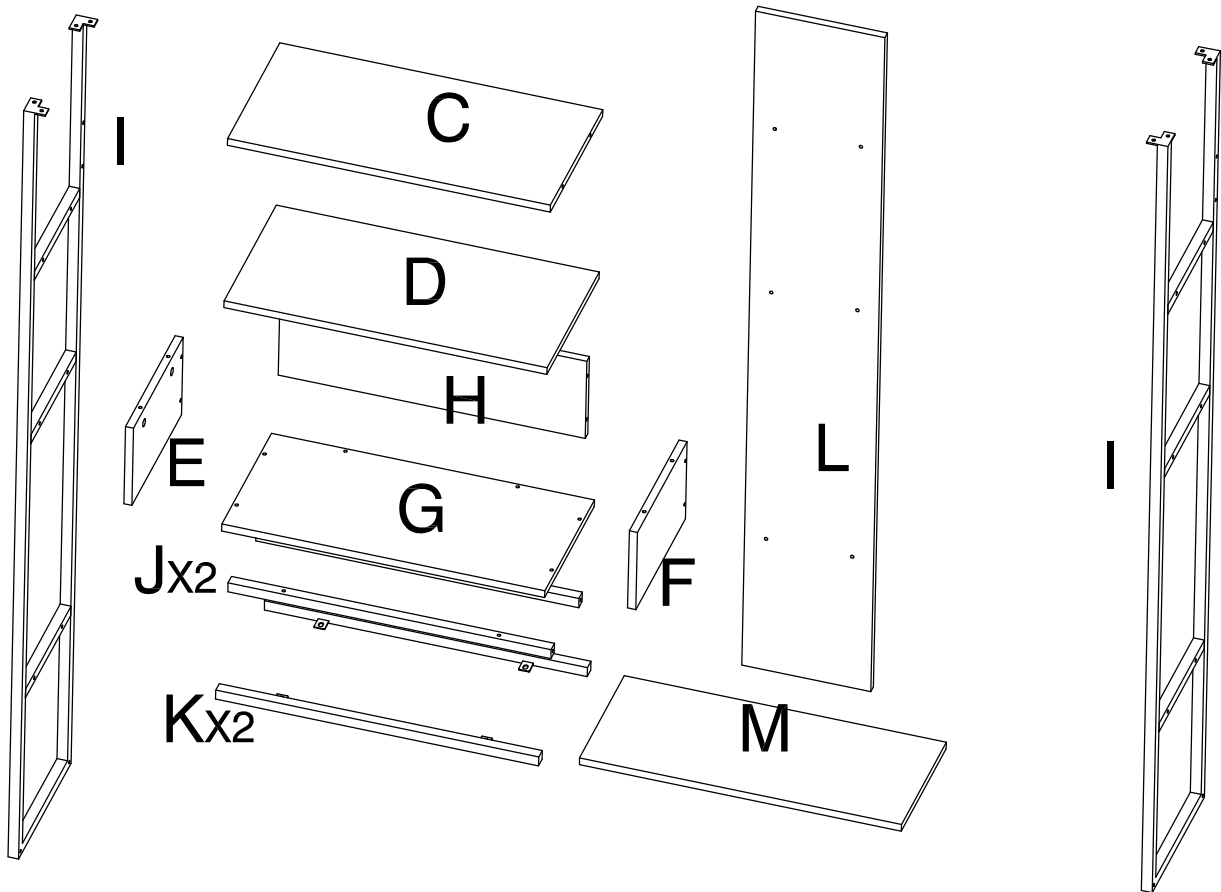
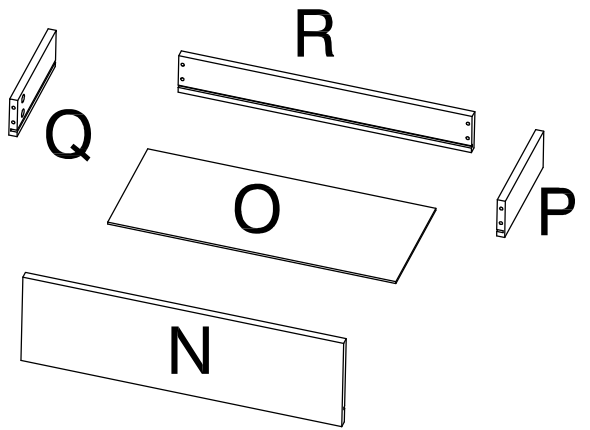
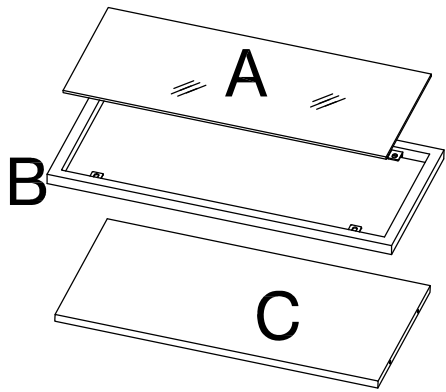




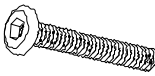





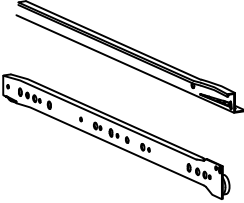
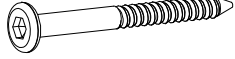


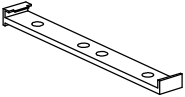
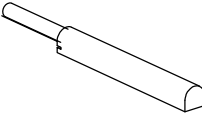


# NAN-JN-28102B-GG

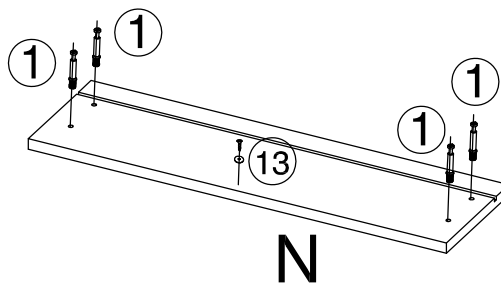
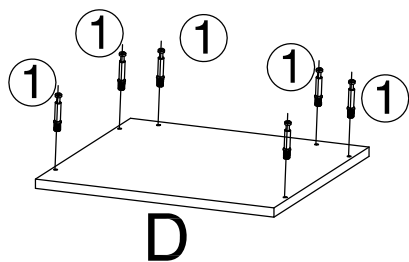
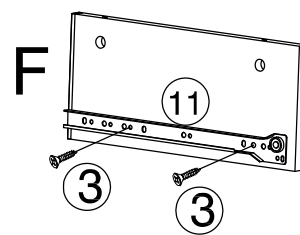
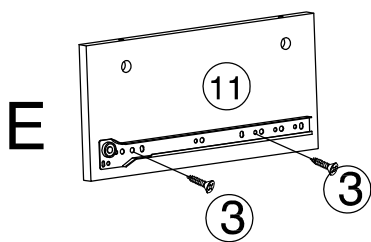




# HARDWARE LIST

<p>①</p>  <p>x10</p>	<p>②</p>  <p>x10</p>	<p>③</p>  <p>M4X12X12</p>
<p>④</p>  <p>M4X35X4</p>	<p>⑤</p>  <p>M6X35X8</p>	<p>⑥</p>  <p>x4</p>
<p>⑦</p>  <p>M7X50X12</p>	<p>⑧</p>  <p>M6X30X4</p>	<p>⑨</p>  <p>M6X12X8</p>
<p>⑩</p>  <p>x4</p>	<p>⑪</p>  <p>1SET</p>	<p>⑫</p>  <p>M5X55X8</p>
<p>⑬</p>     <p>x1</p>		

# Step 1

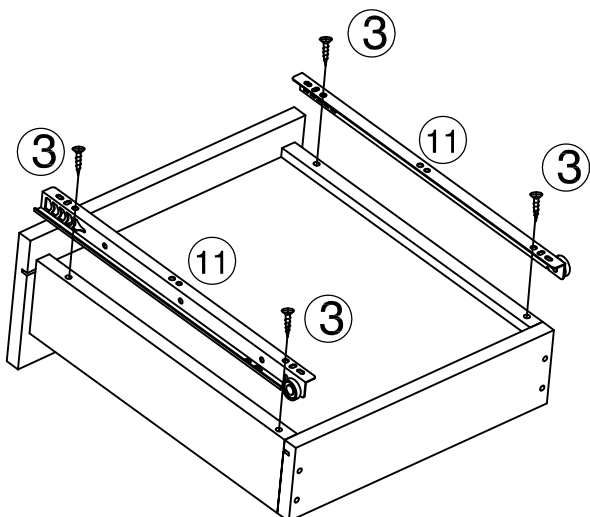
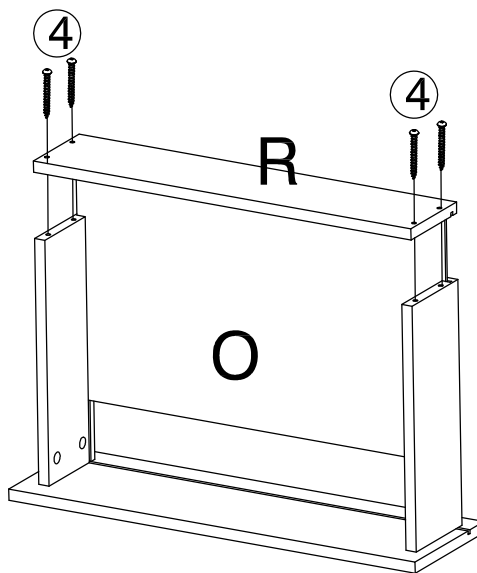
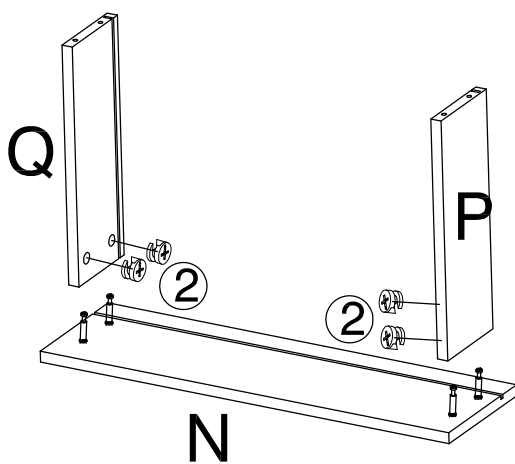


① x10

③ x4

⑬ x1

# Step 2

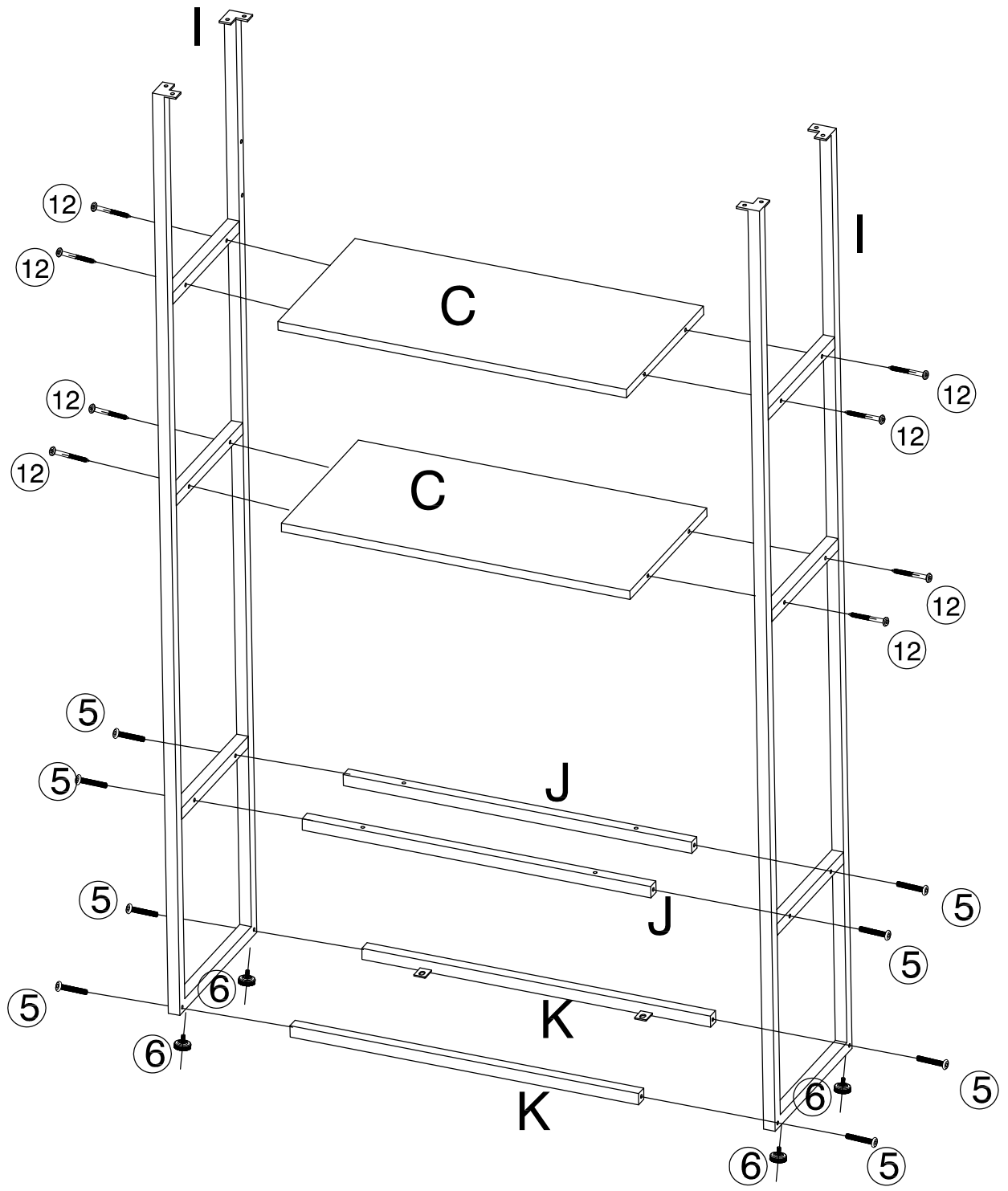


② x4

③ x4

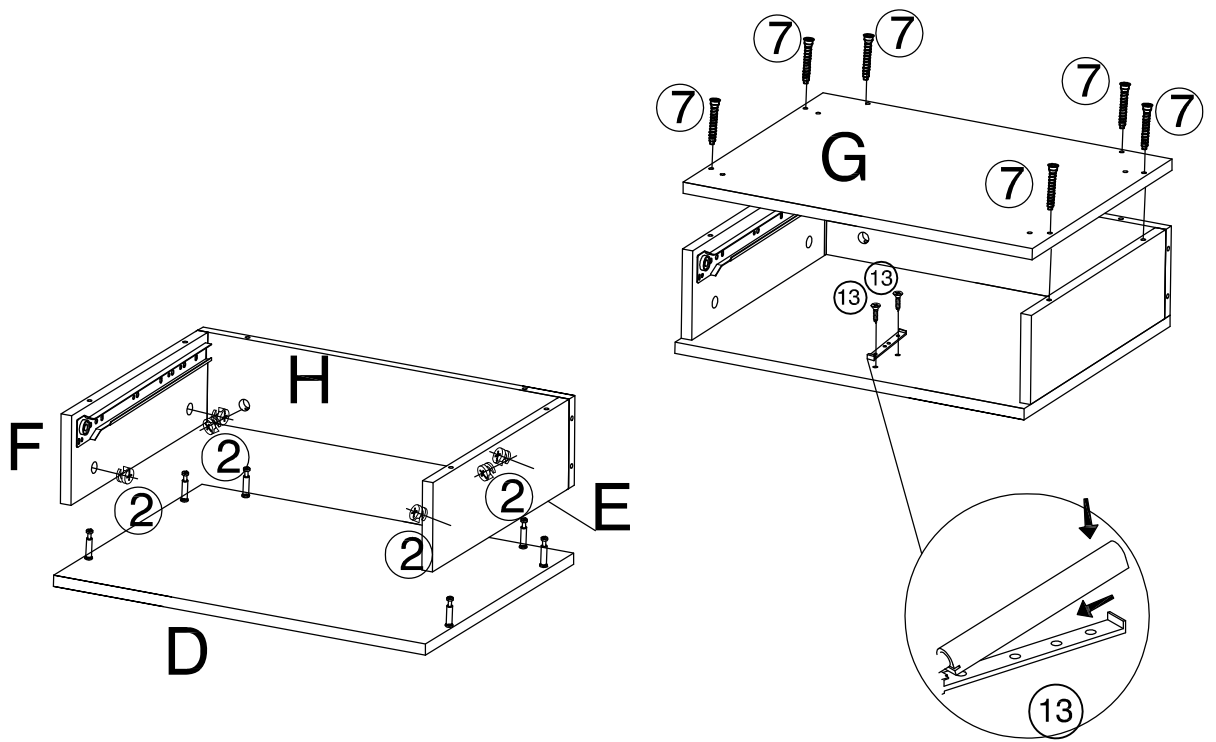
④ x4

# Step 3



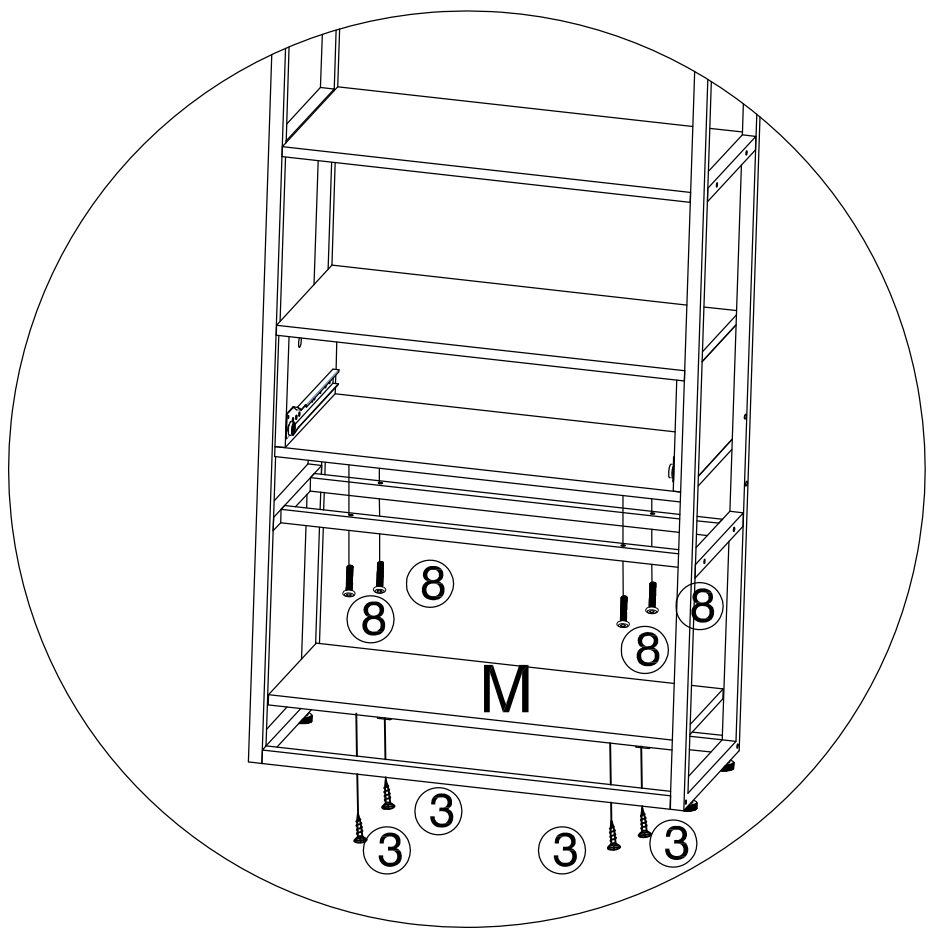
- ⑤ X8
- ⑥ X4
- ⑫ X8

# Step 4



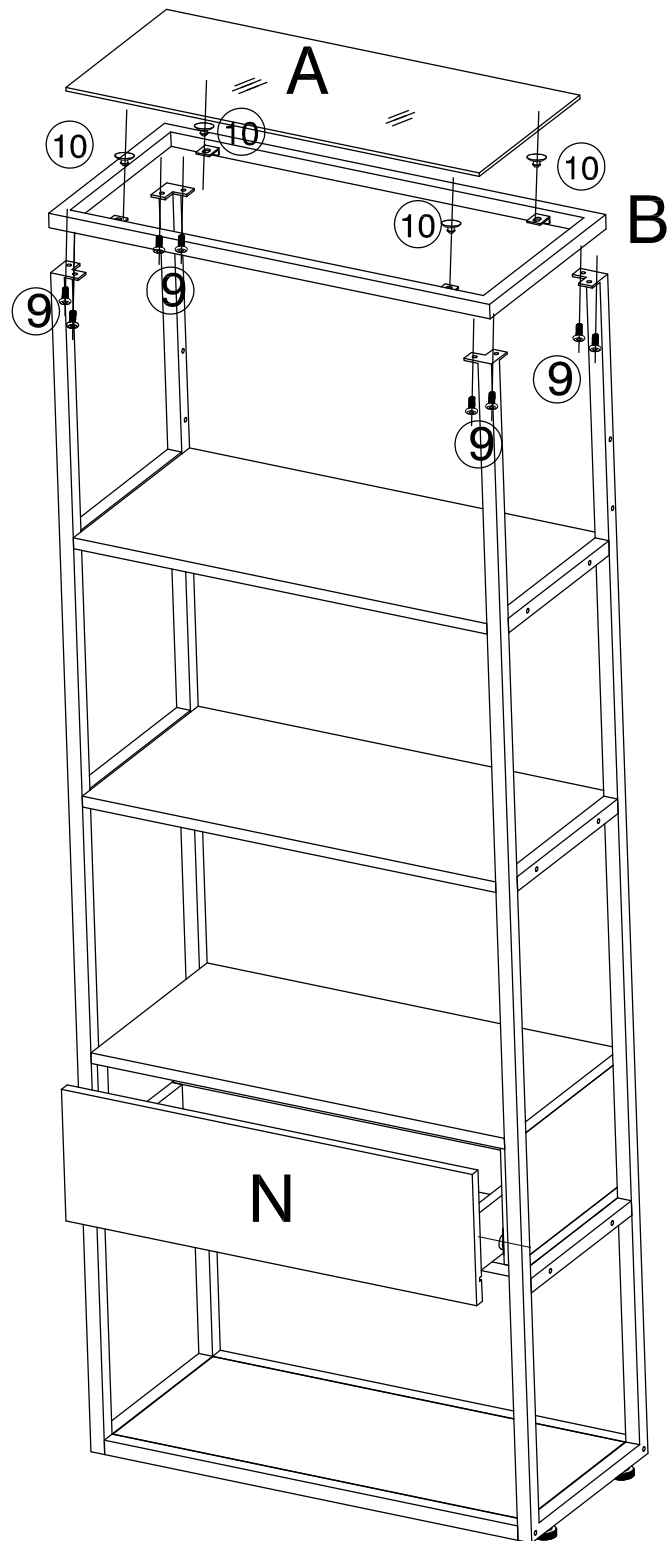
- ② x6
- ⑦ x6
- ⑬ x1

# Step 5



- ③ X4
- ⑧ X4

# Step 6



⑨ x8

⑩ x4

# Step 7

