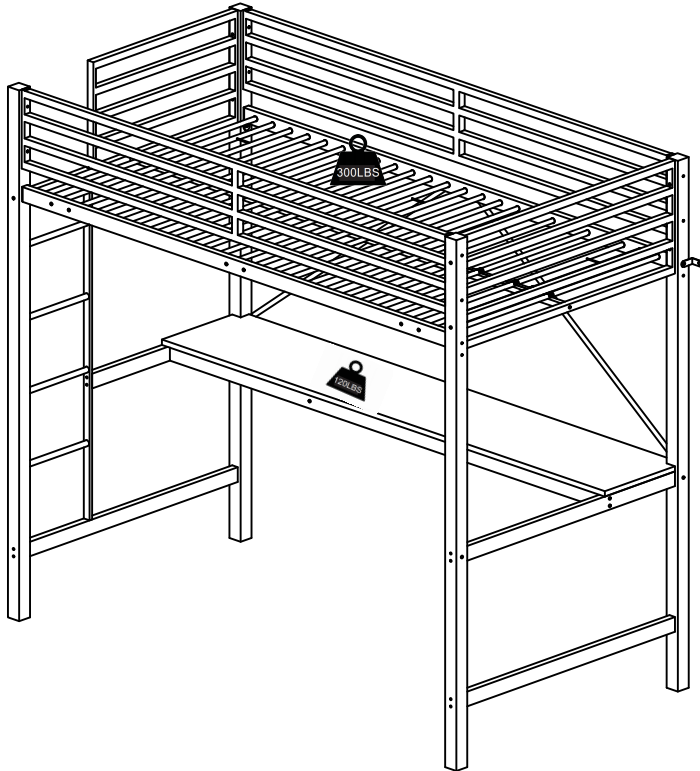


*Thank you for your purchase!*



## Metal Loft Bed With Desk

### ASSEMBLY INSTRUCTIONS

**Before You Begin:**

Please identify all component parts and hardware pieces required before you begin. Carefully remove all of the components from the packaging and set aside for assembly. Assemble on a soft surface to prevent scratching during assembly.

**Caution:**

Tighten all components securely before use. Failure to do so may result in personal injury. DO NOT use any sharp objects to open plastic wrapped components as damage to product or components may result.

**Warning:**

**CHOKING HAZARD** - Small Parts. Adult Assembly Required.

**DO NOT ALLOW CHILDREN TO CLIMB ON FURNITURE**

Serious or fatal injuries can occur from furniture tipping over. You must install Tipping Restraint Hardware (where included) to help prevent the unit from tipping and causing accidental injury, instability, death or damage. The tipping restraint is intended only as a safety measure, it is not a substitute for proper adult supervision.

To help prevent furniture from tipping over it must be permanently attached to the wall. Anti-Tip Safety Wall Straps suitable for the unit weight and wall materials (if not included) should be purchased and installed.

Customer Service Email: [CustomerExperience@theubiquegroup.com](mailto:CustomerExperience@theubiquegroup.com) | Phone: 866-552-2810

TLN-YH0226-T-GRY-GG/TLN-YH0226-T-BLK-GG/TLN-YH0226-T-WHT-GG



# Congratulations!

You just purchased a piece of happiness. At Ubique Group, we believe you can transform your spaces into the most inspired places with furnishings that are the perfect combination of form, function and style. As original innovators of online furniture retail, we offer the best selection of popular, contemporary styles at cool, comfortable prices. And, with decades of proven shipping and packaging expertise, our Extended Quality Checklist ensures a rewarding, hassle-free experience time and time again. It's just what you need to bring your vision to life.

**Thank you & Enjoy!!**  
*your friends at Ubique Group*



## LIKE IT!

*Share it on social  
& Tell a friend!  
#Spaces2Places*



## LOVE IT!

*Write an online  
product review  
where purchased*



## NOT SURE?

*Let us help!  
Contact our  
customer support.*

Have a question, concern or simply need a hand? Your satisfaction is our top priority. Contact us at 866-552-2810 or [customerexperience@theubiquegroup.com](mailto:customerexperience@theubiquegroup.com). We're here to help!

## Browse Our Branded Collections

There's something for everyone inside our family of brands.



Visit [www.theubiquegroup.com/brands](http://www.theubiquegroup.com/brands) or scan this code.





We pride ourselves on providing an excellent customer experience starting right here with your package and instructions. Everything you need should be right where you need it, so you can get to enjoying your new item ASAP. But despite our best efforts, sometimes "slips happen." If you need any support, from replacement parts to recommendations, please reach out to our wonderful customer support team at 866-552-2810 or [customerexperience@theubiquegroup.com](mailto:customerexperience@theubiquegroup.com). We're here to help!

## EVERY UBIQUE GROUP PRODUCT



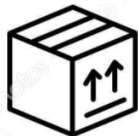
Quality &  
Durability Tested



Packaged  
with Care



Shipped from  
our U.S. Facility



Designed  
for Easy  
Assembly



Ethically  
Sourced

Please visit <https://www.theubiquegroup.com/warranty> for complete warranty information.

**Read this manual before using this product. Failure to follow the instructions and safety precautions in this manual can result in serious injury or death. Keep this manual in a safe location for future reference.**

# Safety Warnings

- Follow the information on the warnings appearing on the upper bunk end structure and on the carton. Do not remove warning label from bed.
- Always use the recommended size mattresses or mattress supports, or both, to help prevent the likelihood of entrapment or falls.
- Surface of mattress must be at least 5 in. (127 mm) below the upper edge of guardrails.
- Do not allow children under 6 years of age to use the upper bunk.
- Periodically check and ensure that the guardrail, ladder, and other components are in their proper position, free from damage, and that all connectors are tight.
- Do not allow horseplay on or under the bed and prohibit jumping on the bed.
- Always use the ladder for entering and leaving the upper bunk.
- Do not use substitute parts. Contact the manufacturer or dealer for replacement parts.
- Use of a night light may provide added safety precaution for a child using the upper bunk.

- Always use guardrails on both long sides of the upper bunk. If the bunk bed will be placed next to the wall, the guardrail that runs the full length of the bed should be placed against the wall to prevent entrapment between the bed and wall.
- The use of water or sleep flotation mattresses is prohibited.
- **STRANGULATION HAZARD**–Never attach or hang items to any part of the bunk bed that are not designed for use with the bed; for example, but not limited to, hooks, belts and jump ropes.
- Keep these instructions for future reference.



## WARNING:

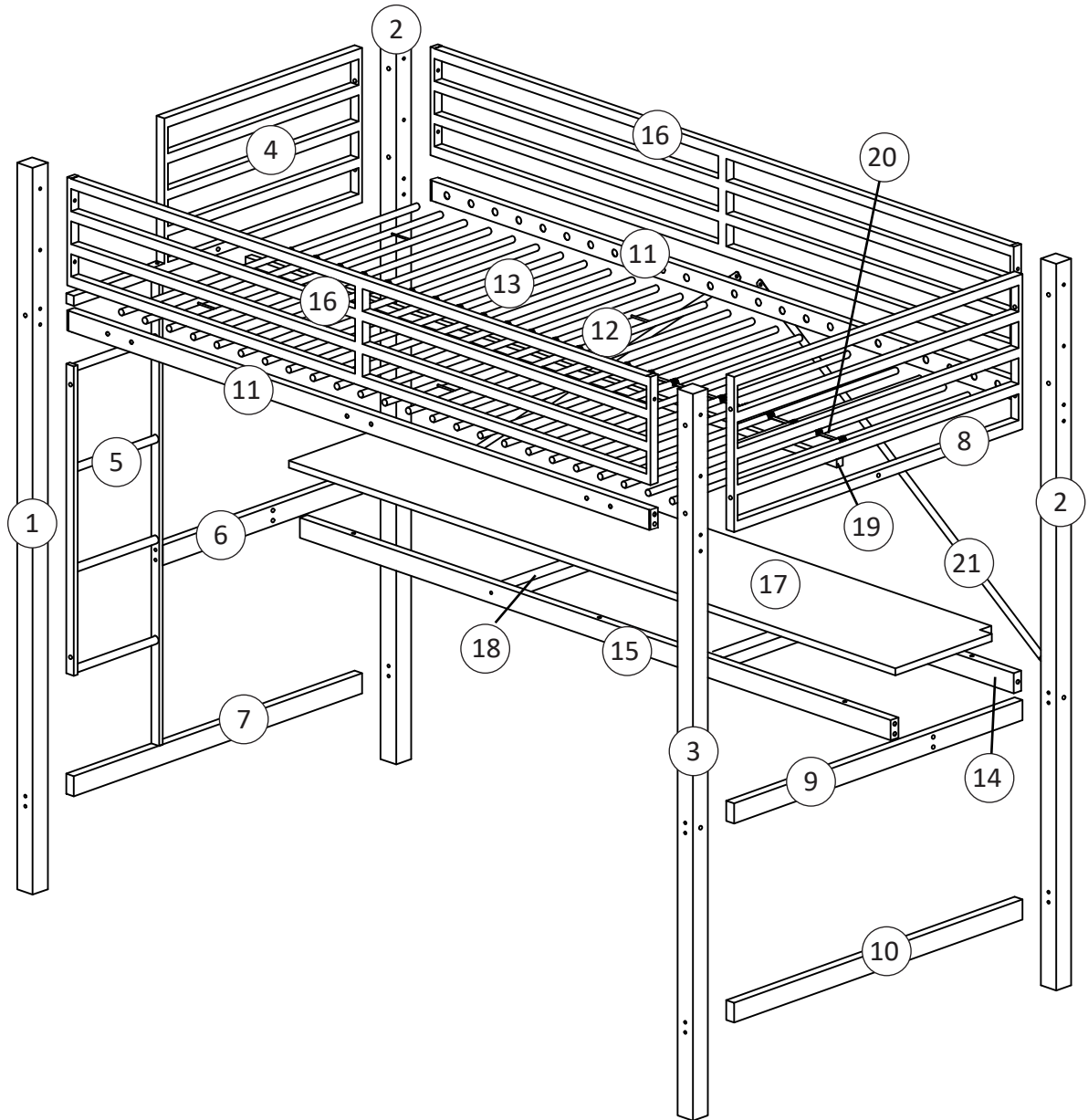
### Quality and Safety Guidelines:

- Never allow a child under 6 years of age on upper bunk.
- Use only mattresses which are 74" - 75" long and 37.5" - 38.5" wide on the upper bunk.
- Ensure thickness of the mattress does not exceed 9" and that the mattress is at least 5" below the upper edge of guardrails.
- Use guardrails on both sides of the upper bunk.
- Prohibit horseplay on or under the bunk/loft bed.
- Do not allow more than one person on the upper bunk.
- Use the ladder for entering and leaving the upper bunk.
- Use the loft bed wall anchors with this item. If you did not receive the wall anchors, please contact us at [CustomerExperience@theubiquegroup.com](mailto:CustomerExperience@theubiquegroup.com) or call 866-552-2810.
- Please use this item on a stable, level surface only. All loft bed legs should contact the flooring surface when in use. Do not use this item if any instability is detected.
- This item is intended for lying down, do not climb or stand on this item.
- For product longevity, product safety and product integrity, please email us at [CustomerExperience@theubiquegroup.com](mailto:CustomerExperience@theubiquegroup.com) or call 866-552-2810 for storage instructions.
- Please visit [www.theubiquegroup.com](http://www.theubiquegroup.com) for our product warranty details or email us at [CustomerExperience@theubiquegroup.com](mailto:CustomerExperience@theubiquegroup.com) or call 866-552-2810.
- For maintenance instructions and replacement parts, please email us at [CustomerEperience@theubiquegroup.com](mailto:CustomerEperience@theubiquegroup.com) or call 866-552-2810.
- Please follow the static and dynamic weight capacity limits provided on this item. If you are unsure of the weight capacities for this product, email us at [CustomerExperience@theubiquegroup.com](mailto:CustomerExperience@theubiquegroup.com) or call 866-552-2810.

### STRANGULATION HAZARD:

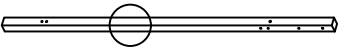


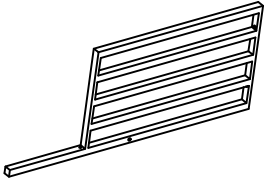
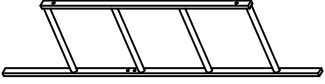
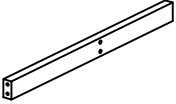
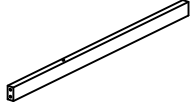
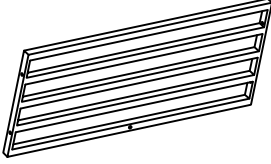
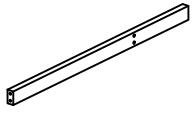
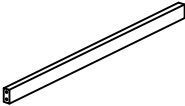
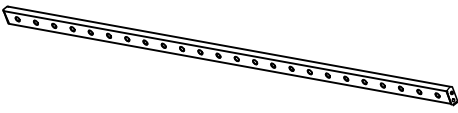
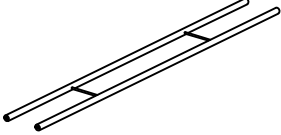
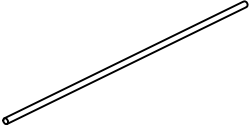
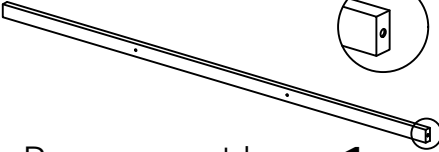
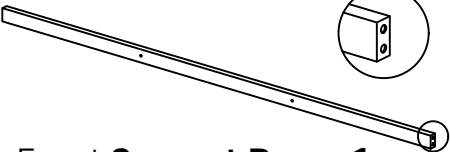
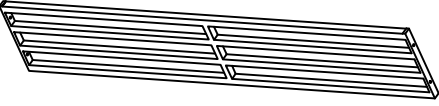
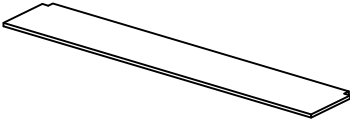

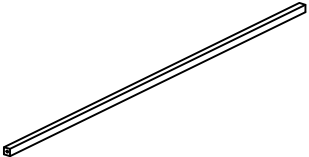
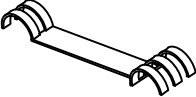

Never attach or hang items to any part of the bunk bed that are not designed for use with the bed including, but not limited to, hooks, belts and jump ropes.

# ASSEMBLY INSTRUCTION






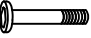
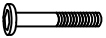

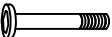








- Assembly requires 2 adults and approximately 2 hours to complete.
- The ladder section can be attached on either end of the loft bed. The two holes visible on part 6 and on part 9 must be aligned toward the rear of the bed for proper assembly of the desk supports and wooden desk top.

# Part List

<p>1</p>  <p><b>Front Left Leg -1pc</b></p>	<p>2</p>  <p><b>Back Leg -2pcs</b></p>	<p>3</p>  <p><b>Front Right Leg -1pc</b></p>
<p>4</p>  <p><b>Footboard -1pc</b></p>	<p>5</p>  <p><b>Ladder -1pc</b></p>	<p>6</p>  <p><b>Left Connect Bar -1pc</b></p>
<p>7</p>  <p><b>Left Connect Bar -1pc</b></p>	<p>8</p>  <p><b>Headboard -1pc</b></p>	<p>9</p>  <p><b>Right Connect Bar -1pc</b></p>
<p>10</p>  <p><b>Right Connect Bar -1pc</b></p>	<p>11</p>  <p><b>Siderail -2pcs</b></p>	<p>12</p>  <p><b>Metal Slats 3pcs</b></p>
<p>13</p>  <p><b>Metal Slats -18pcs</b></p>	<p>14</p>  <p><b>Rear support bar -1pc</b></p>	<p>15</p>  <p><b>Front Support Bar -1pc</b></p>
<p>16</p>  <p><b>Guardrails -2pcs</b></p>	<p>17</p>  <p><b>Wooden Desktop -1pc</b></p>	<p>18</p>  <p><b>Support slat -2pcs</b></p>
<p>19</p>  <p><b>Middle rail -1pc</b></p>	<p>20</p>  <p><b>Plastic Brackets -23pcs</b></p>	<p>21</p>  <p><b>A frame -2pcs</b></p>







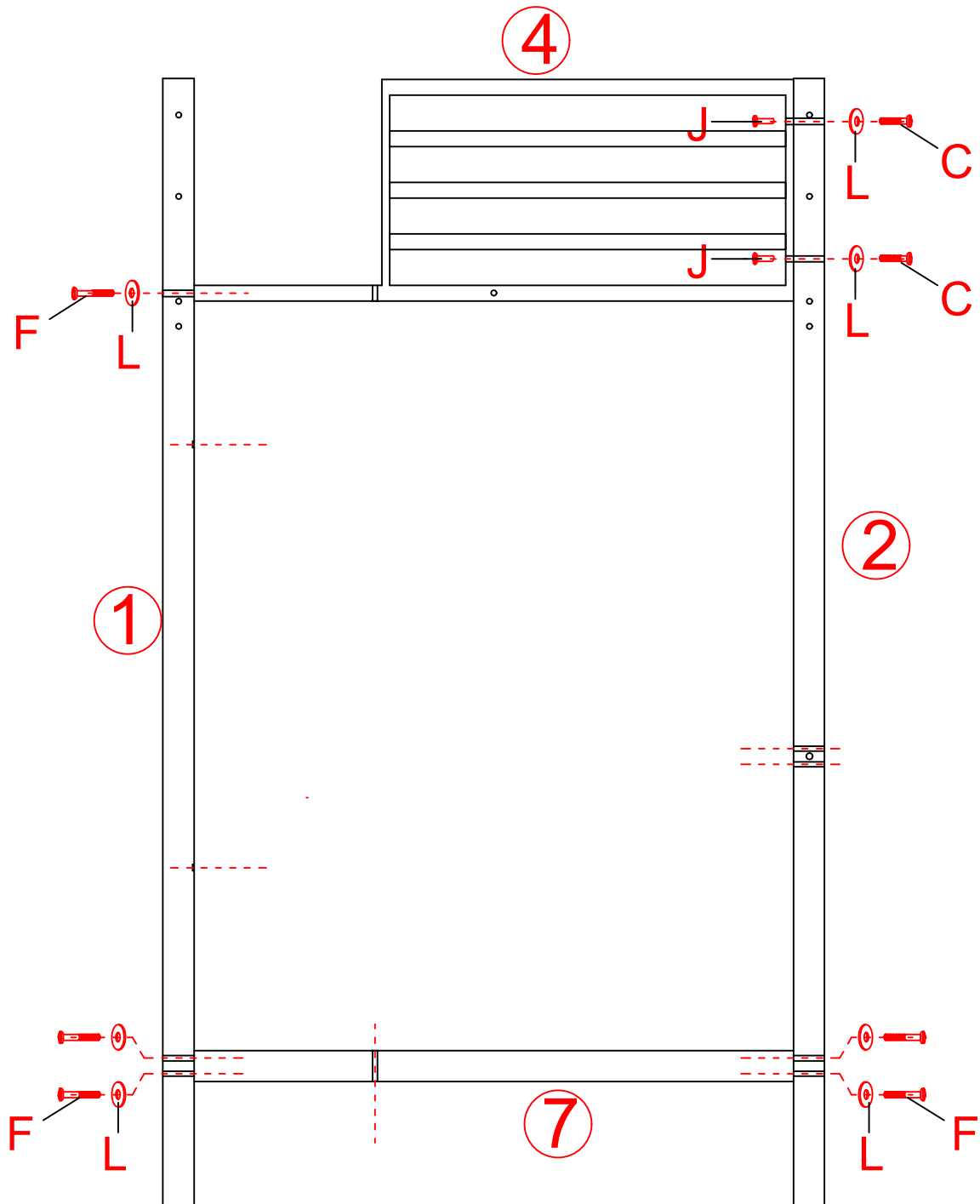
# Hardware List

<p><b>A</b></p>  <p>Screws <b>M6x16- 12pcs</b></p>	<p><b>B</b></p>  <p>Screws <b>M6x25- 2pcs</b></p>	<p><b>C</b></p>  <p>Screws <b>M6x35- 24pcs</b></p>
<p><b>D</b></p>  <p>Screws <b>M6x45- 2pcs</b></p>	<p><b>E</b></p>  <p>Screws <b>M6x50- 7pcs</b></p>	<p><b>F</b></p>  <p>Screws <b>M6x60- 16pcs</b></p>
<p><b>H</b></p>  <p>Screws <b>M8x60- 10pcs</b></p>	<p><b>J</b></p>  <p>Barrel Bolt <b>M6- 14pcs</b></p>	<p><b>L</b></p>  <p>Small Washer <b>M6- 37pcs</b></p>
<p><b>M</b></p>  <p>Big Washer <b>M8- 10pcs</b></p>	<p><b>O</b></p>  <p>Allen Key <b>M6- 1pc</b></p>	<p><b>P</b></p>  <p>Allen Key <b>M8- 1pc</b></p>
<p><b>Q</b></p>  <p>Wall Brackets <b>-2pcs</b></p>	<p><b>R</b></p>   <p>Expansion Screws <b>M4X38-2pcs</b></p>	






# Step 1a:

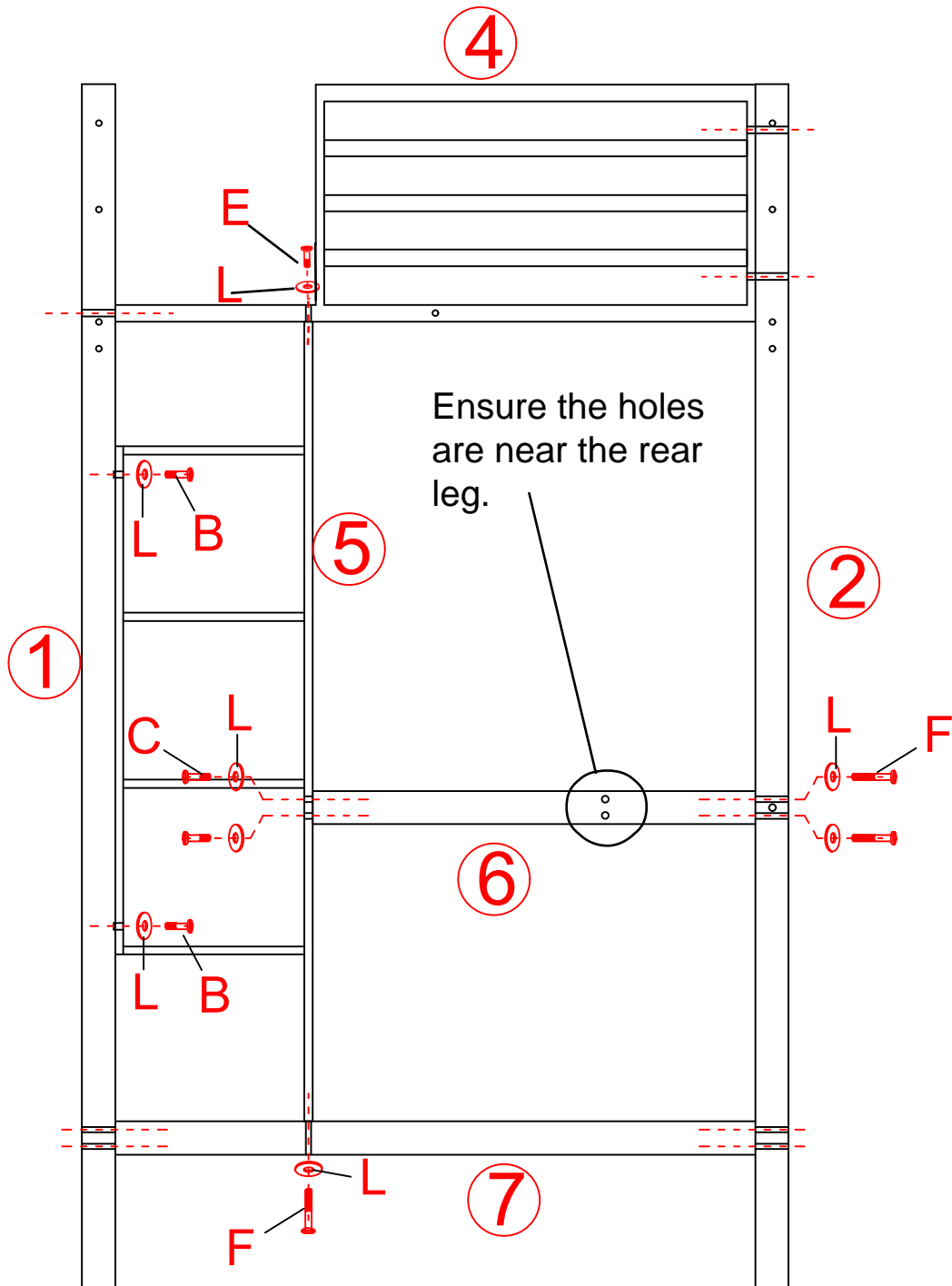
Note: Do not fully tighten any screws until all assembly steps are completed.

C	F	J	L
 M6X35 (2pcs)	 M6X60 (5pcs)	 M6 (2pcs)	 M6 (7pcs)







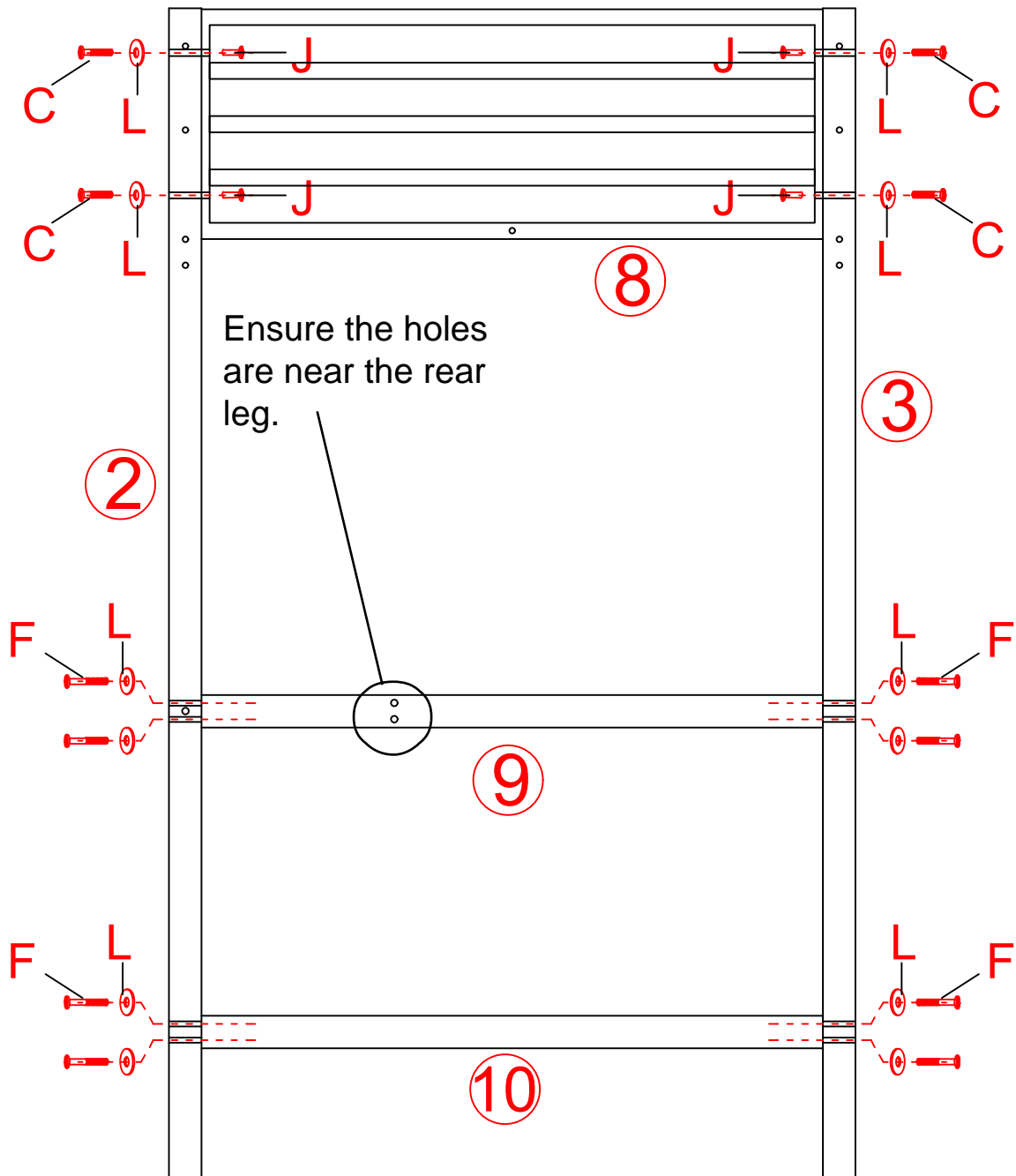
# Step 1b:

B	C	E	F	L
				
M6X25	M6X35	M6X50	M6X60	M6
(2pcs)	(2pcs)	(1pc)	(3pcs)	(8pcs)



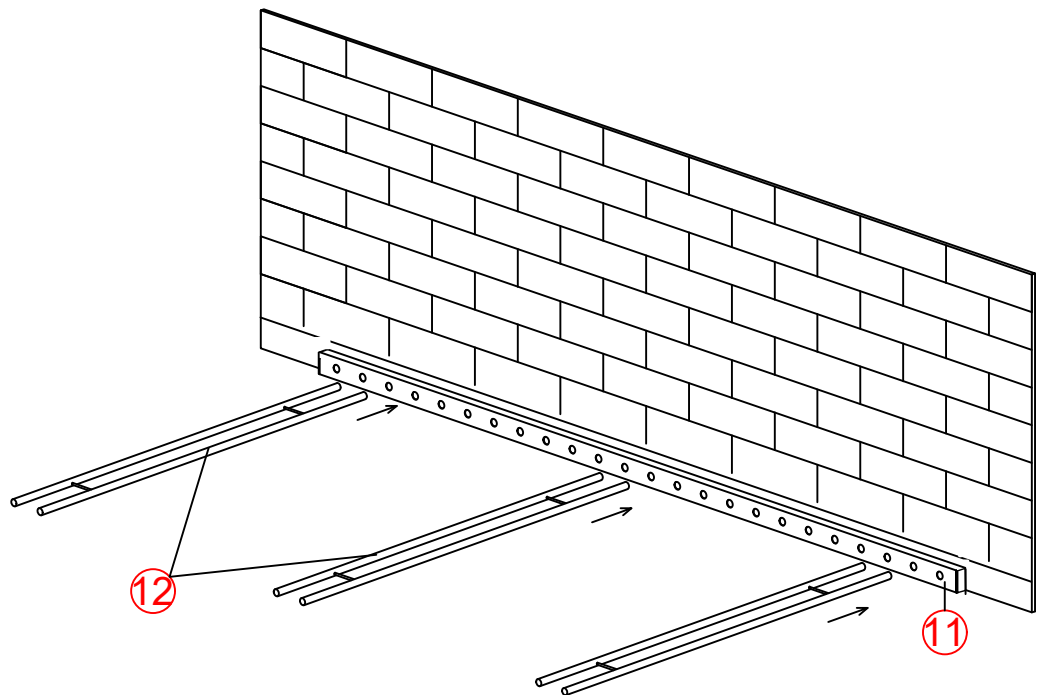
# Step 2

C	F	J	L
 M6X35 (4pcs)	 M6X60 (8pcs)	 M6 (4pcs)	 M6 (12pcs)

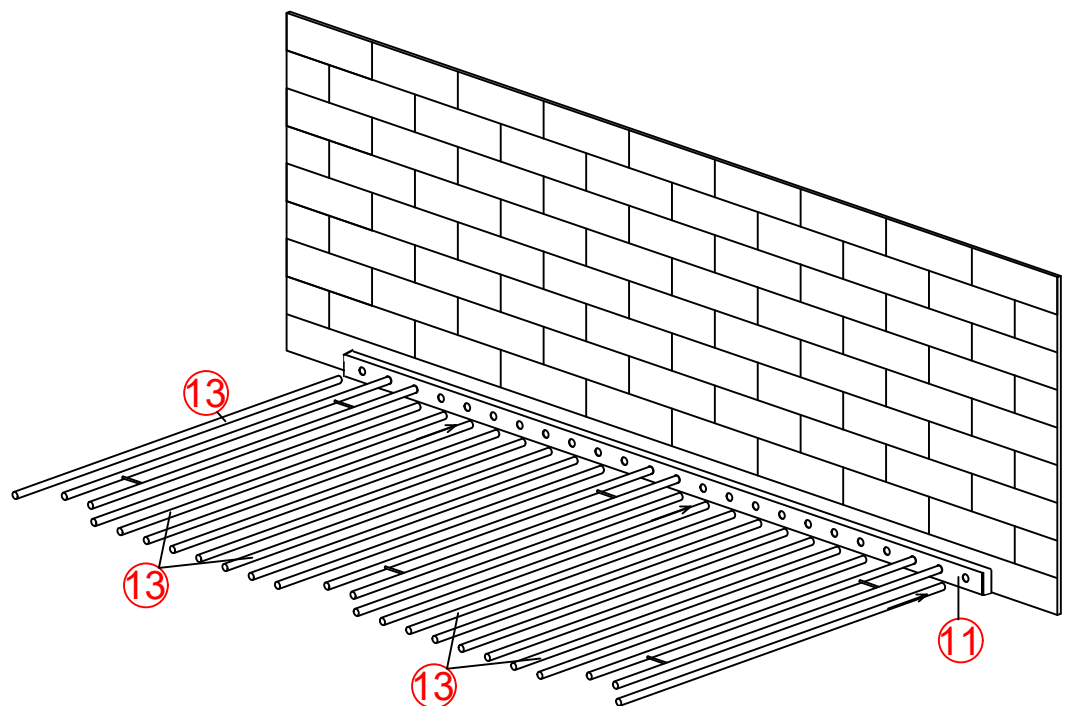


## Step 3a:

Lean part 11 against a wall. Insert the metal slats into the holes that pass through both sides of part 11 and attach using the Part A bolts.



**Step 3b:** Insert part 13 pieces into the holes in part 11.



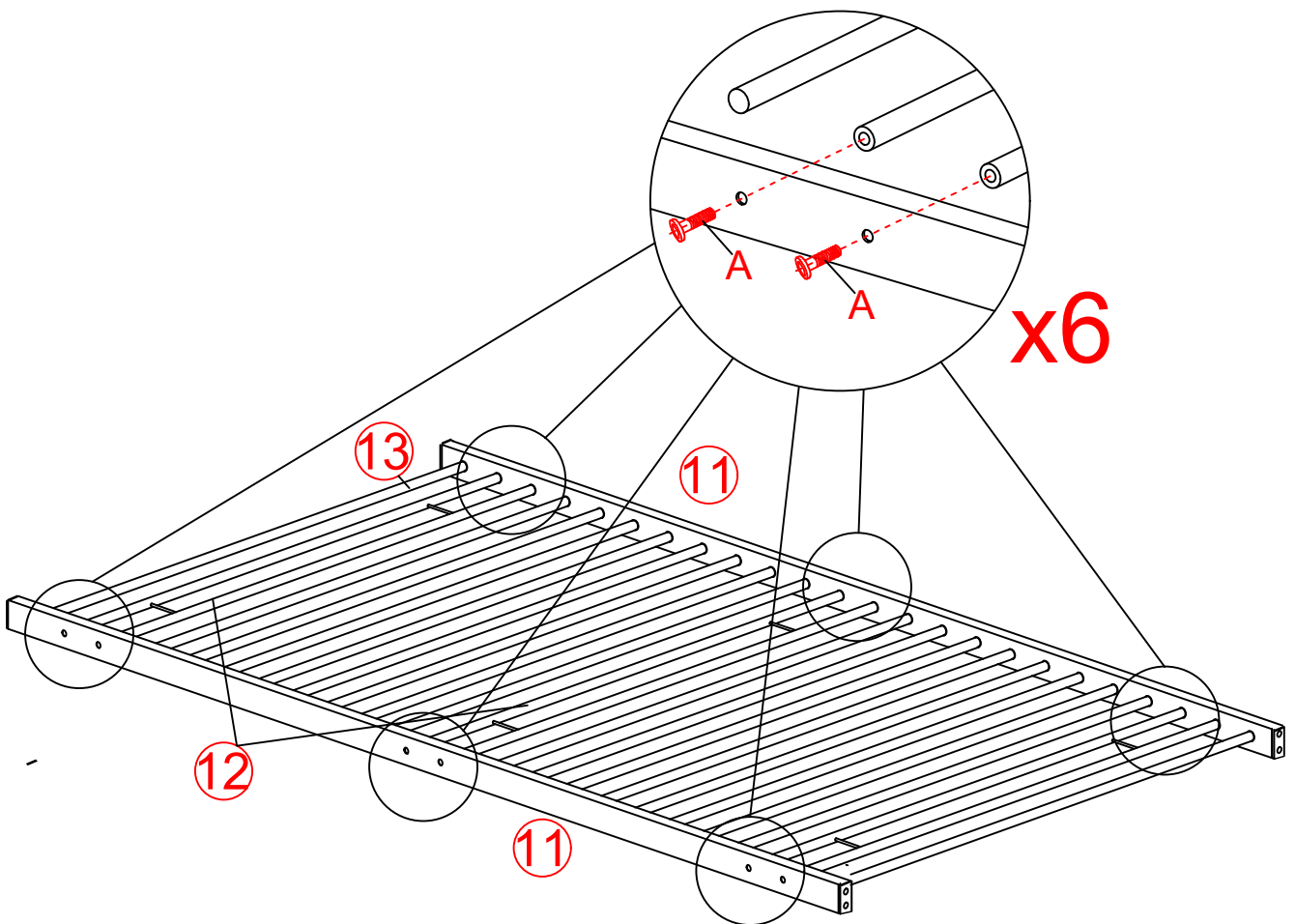
**A**

M6X16

(12pcs)




## Step 3c:

Insert the other ends of parts 12 and 13 into the holes in the second siderail part 11 and attach parts 12 using the Part A bolts.

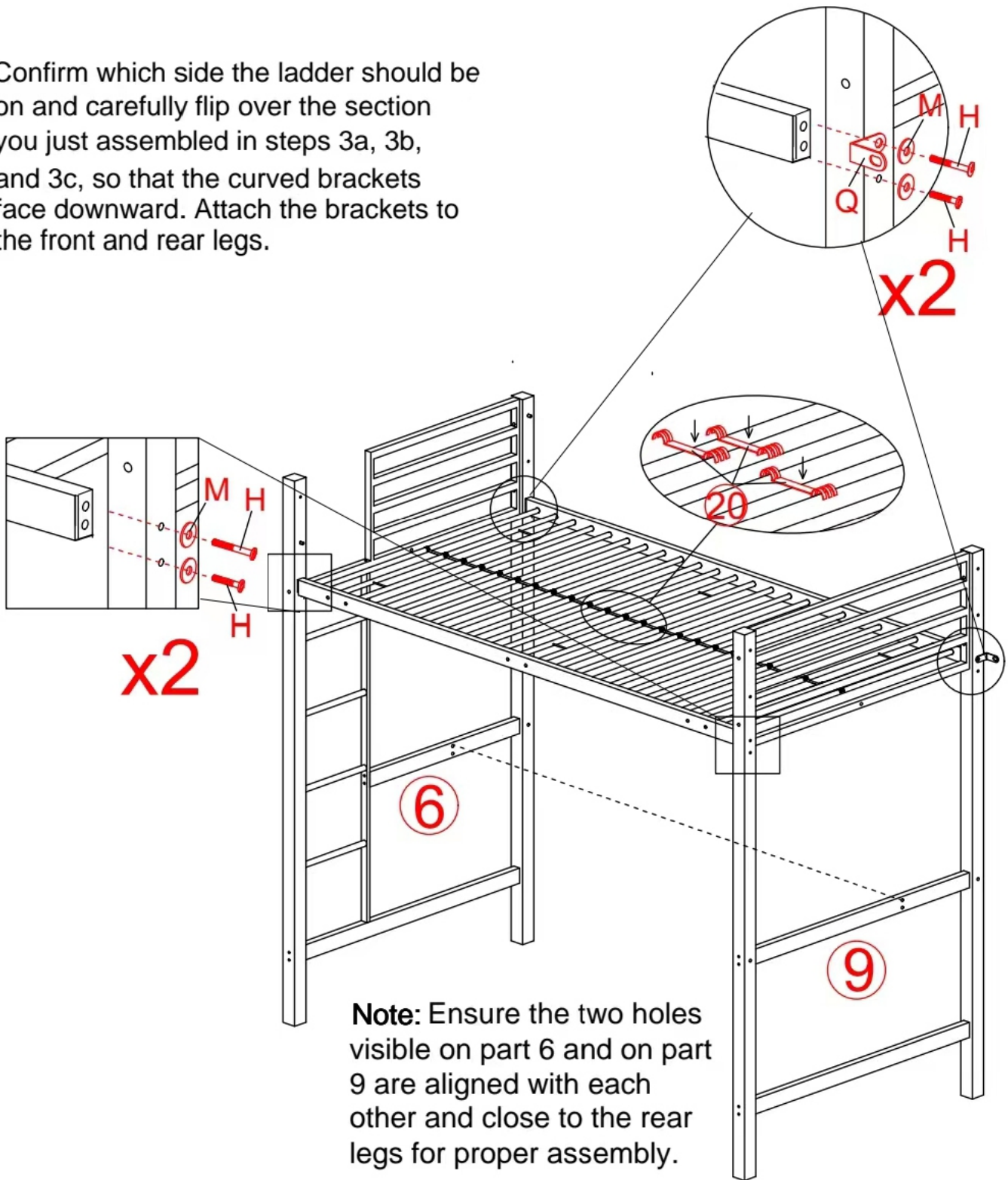


# Step 4

**Note:** Help from a third adult may be helpful for this step.


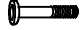

H	M	Q
 M8X60 (8pcs)	 M8 (8pcs)	 (2pcs)

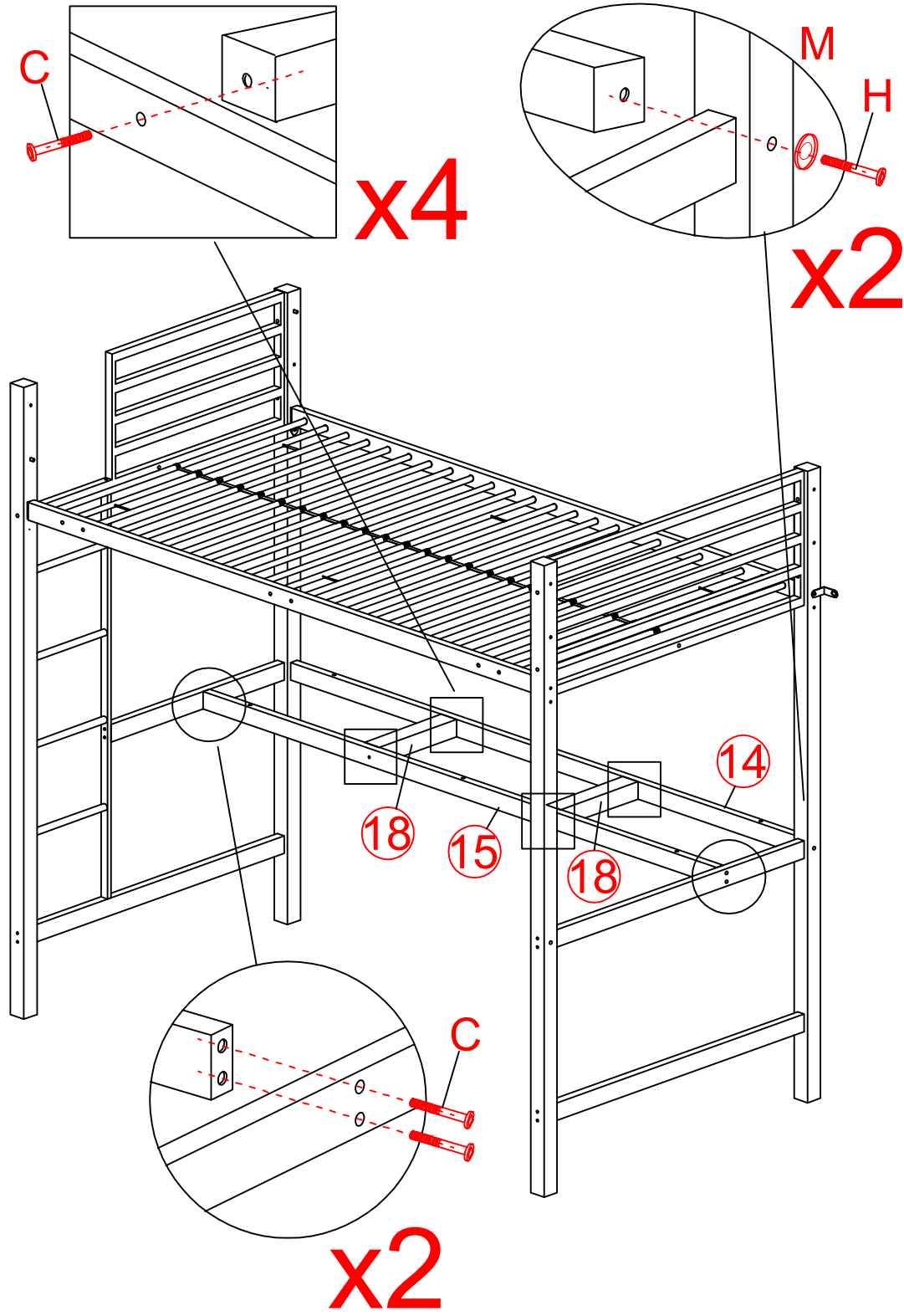
Confirm which side the ladder should be on and carefully flip over the section you just assembled in steps 3a, 3b, and 3c, so that the curved brackets face downward. Attach the brackets to the front and rear legs.



**Note:** Ensure the two holes visible on part 6 and on part 9 are aligned with each other and close to the rear legs for proper assembly.





# Step 5

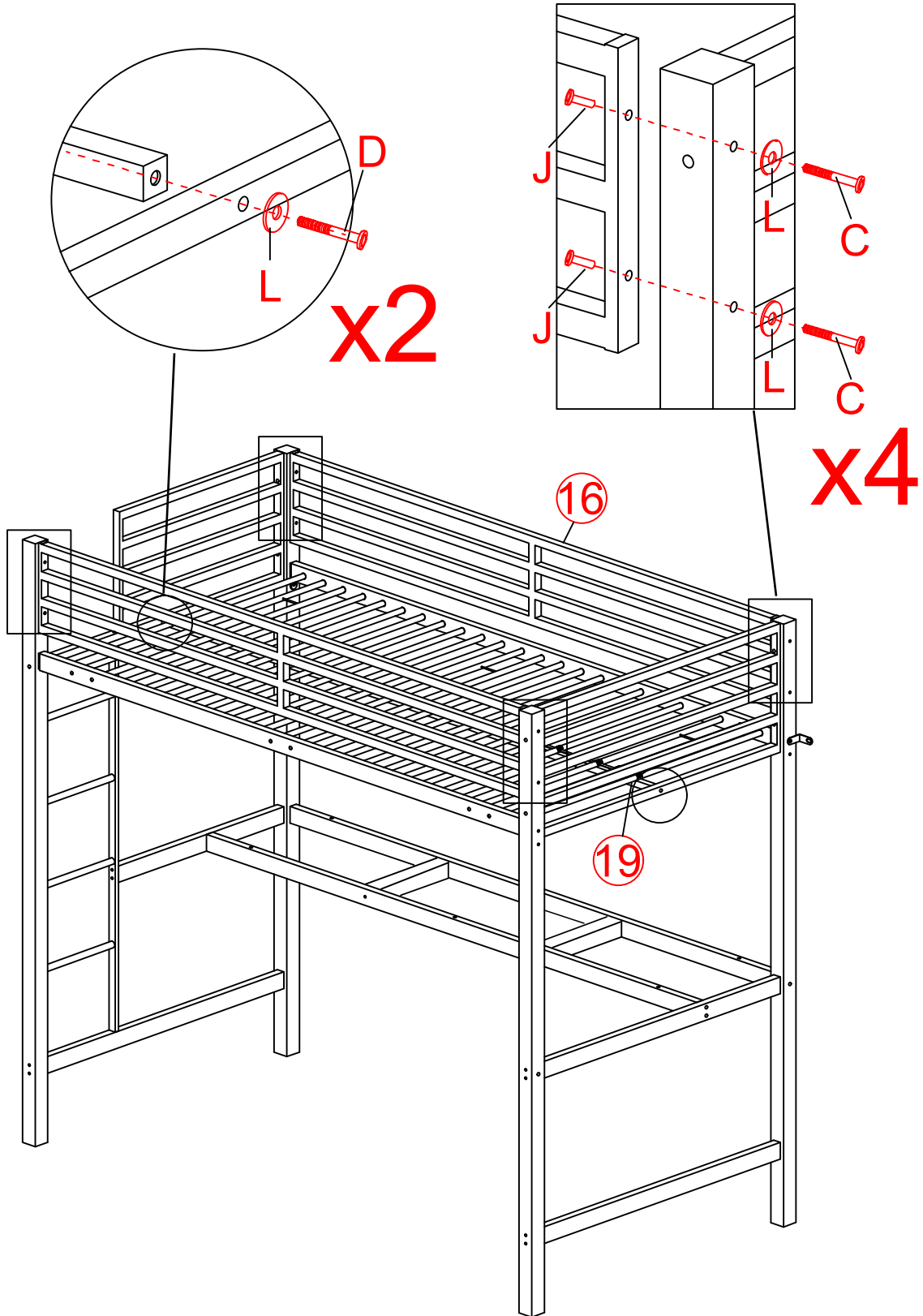
M	C	H
		
M8	M6X35	M8X60
2PCS	8PCS	2PCS





# Step 6

C	D	J	L
			
M6X35	M6X45	M6	M6
(8pcs)	(2pcs)	(8pcs)	(10pcs)



## Step 7a

Attach the wooden desktop to the metal frame with part E bolts.

E

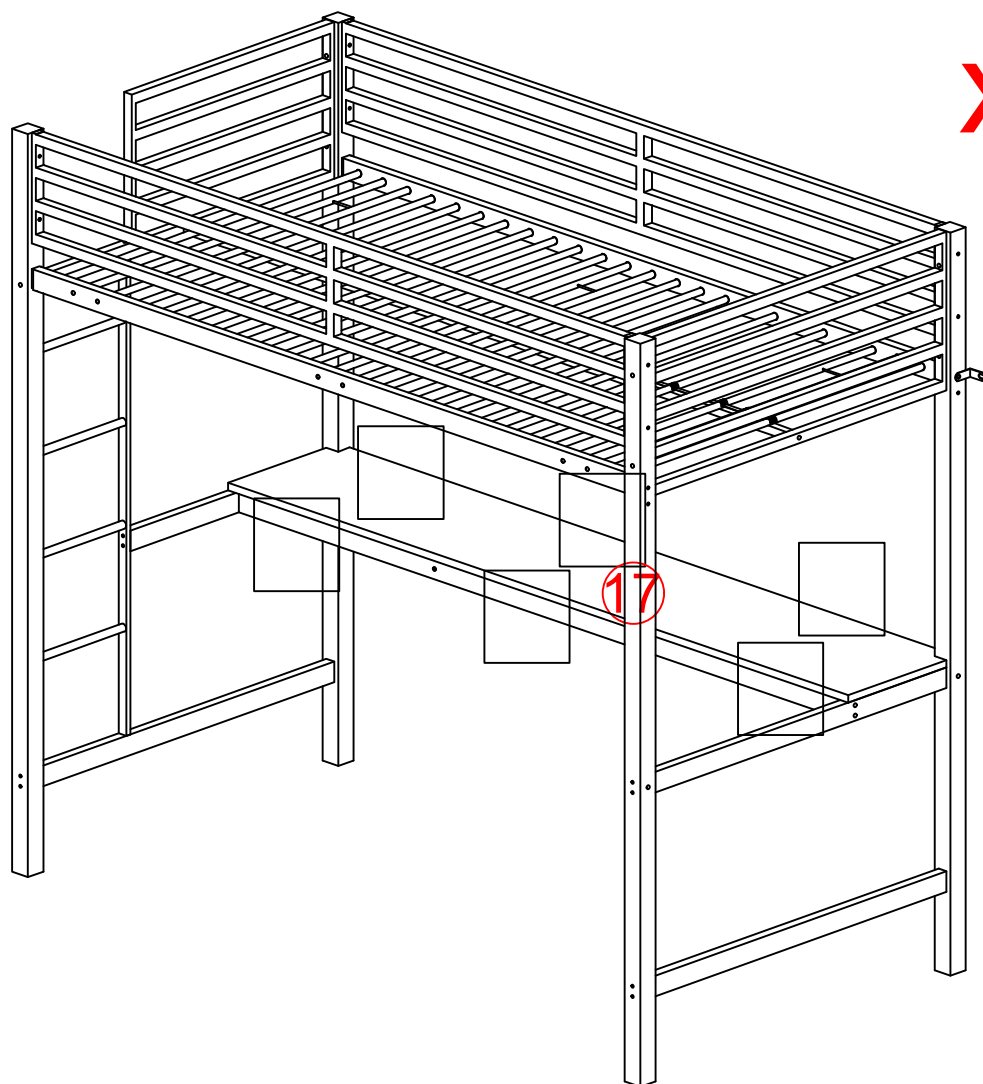
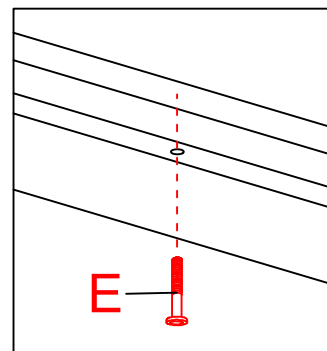


M6X50

(6pcs)

## Step 7b

Ensure all screws from steps 1-6 are securely tightened.



x6

17

# Step 8

