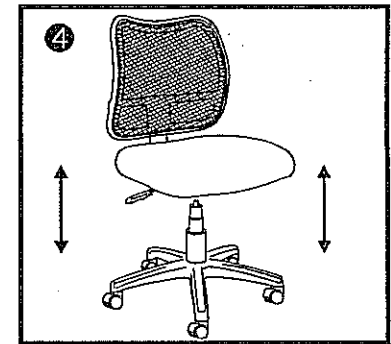
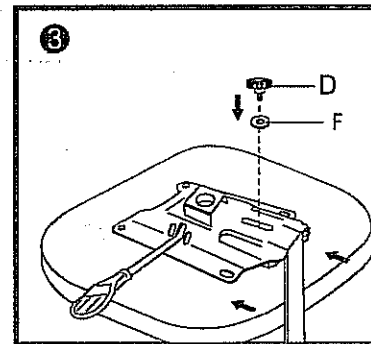
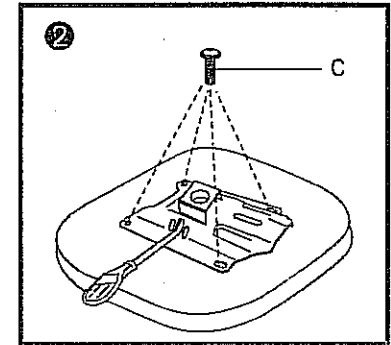
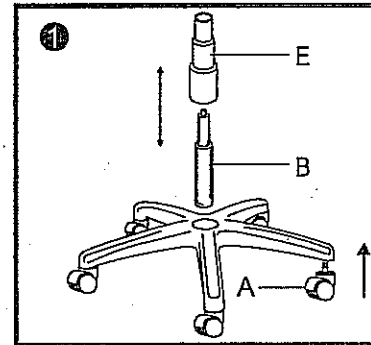
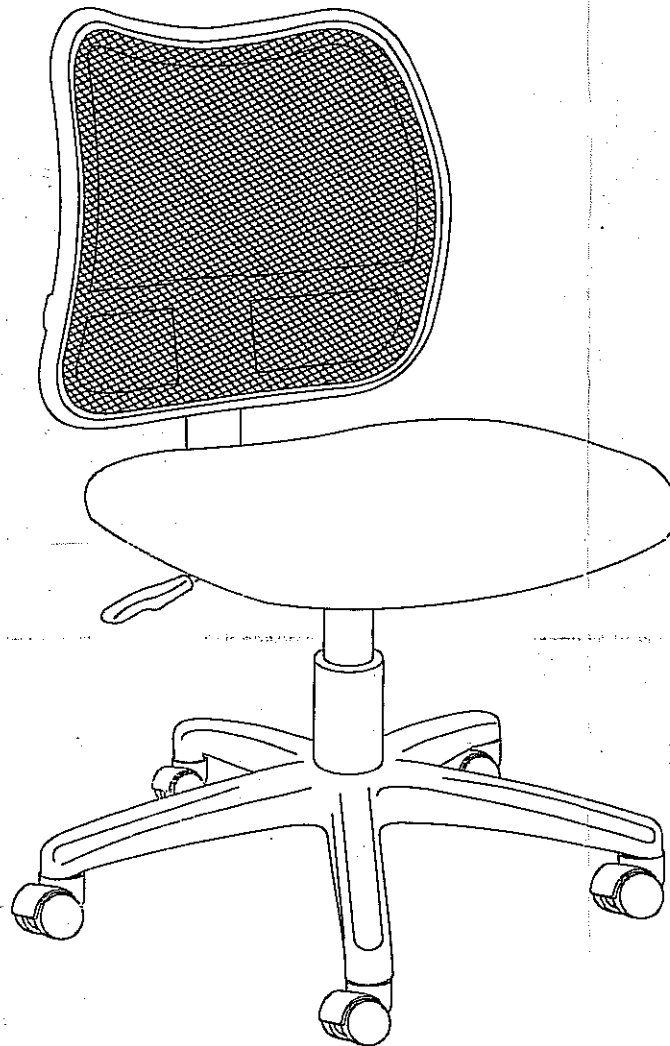
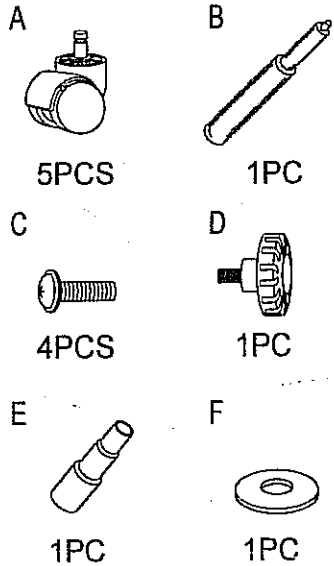


Model A277-3G Assembly Instructions

WL-A277-GG

Parts Listing



ASSEMBLY NOTES:
During assembly, hand tighten screws only. When all screws are in place, you may then tighten all screws completely.
CAUTION: 1. Do not use this chair as a step ladder.
2. Check for loose screws and tighten them anytime.