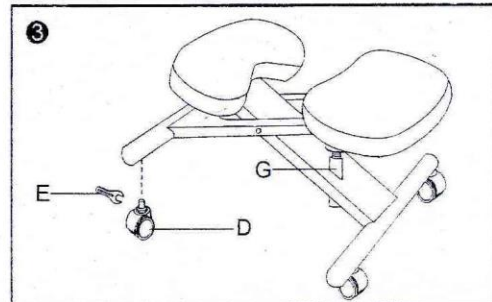
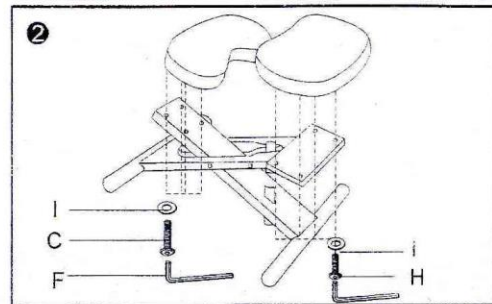
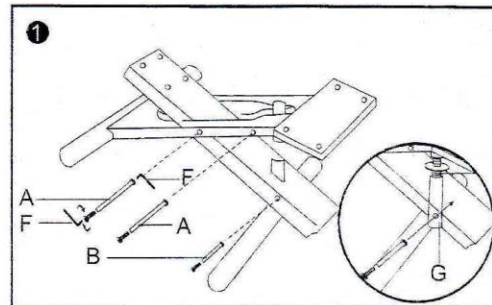
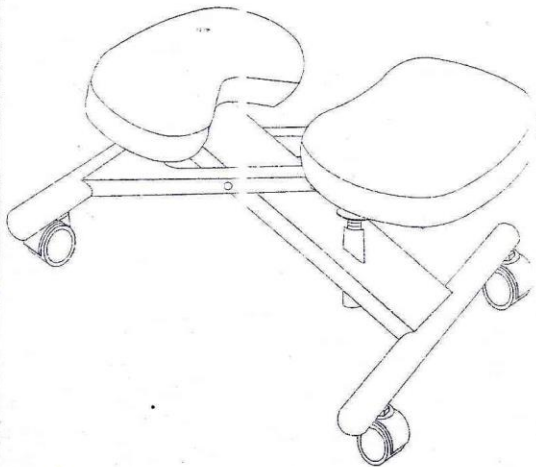
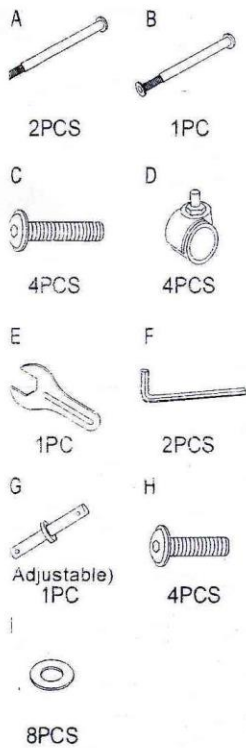


Model SB-210 Assembly Instructions

Parts Listing



ASSEMBLY NOTES:
 During assembly, hand tighten screws only. When all screws are in place, you may then tighten all screws completely.
CAUTION: 1. Do not use this chair as a step ladder.
 2. Check for loose screws and tighten them anytime.

Made and printed in Taiwan.